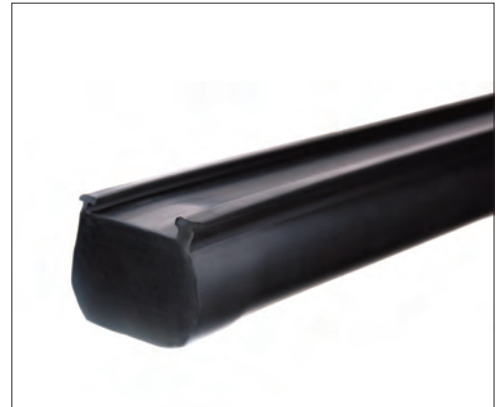


SensingEdge

Applications

- **Sectional Doors**
- **Scissor Lifts**
- **Vertical Lift Doors**
- **Horizontal Sliding Doors**
- **Conveyors**
- **Presses**

This pressure sensitive electric edge can be adapted to suit a wide variety of applications. When touch activated, the ME123 sends an immediate electrical signal to controls to stop and/or reverse operations. The ME123 Sensing Edge has been designed to fit most sectional doors and is custom manufactured to required length.



OPTIONS

- Color: Black or yellow
- Configurations:
 - 2-Wire 10K Resistive Monitored
 - 2-Wire Diode Capacitor Monitored
 - 2-Wire Non-Monitored
 - 4-wire Fail Safe
 - Pneumatic (MEP110) or Air-Wave (MAW110)
- Coil cord attached
- Soft ends
- Mounting channels

TECHNICAL SPECIFICATIONS

Color:	Black or yellow
Length:	Per specification to +/- 1/4"
Lead Wire:	SJTO, 18 gauge, 2' length or 22 gauge universal
Sensitivity:	Nominal 6-11 lbf
Electrical Maximum:	24V AC/DC, 1/2 amp
Mechanical Diagram:	See drawings on page 2
Contact Element:	Alumaglas®
Materials:	Extruded flexible PVC
Mounting Channel:	Rigid PVC or aluminum
Temperature Range:	-30° F to +155° F
Wire Outlet Location:	Universal, right, left, or end

FUNCTIONAL BENEFITS

- Touch sensitive signalling
- Easy to install
- Mounts vertically or horizontally
- ANSI/UL 325 Recognized Component



Model: ME123

SensingEdge

INSTALLATION

Slide ME123 Sensing Edge into proper channel. To attach mounting channel, place in desired location. Drill 1/8" holes through channel and into mounting surface. Secure with screws.

Note: For safe operation, use a maximum 24 volt, 1/2 amp AC or DC power. For detailed installation and wiring instructions, contact Miller Edge.

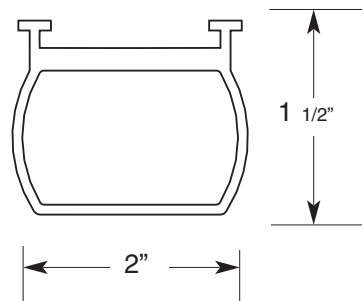
CARE & MAINTENANCE

Minimal care is required for the ME123 since it is manufactured with only the most durable materials and the highest quality control standards. However, Sensing Edges must be examined regularly for cuts or punctures, which could damage internal components. Check wiring to be sure connections are secure. When properly maintained, the ME123 offers years of trouble-free operations.

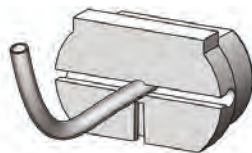
WARRANTY

Miller Edge, Inc. will replace within one year of shipment from factory, any Sensing Edge subject to normal use, which is found to have defective materials or workmanship, as determined solely by our factory representative. Replacements will be shipped to you freight collect. This warranty is void where evidence of misuse or abuse is present.

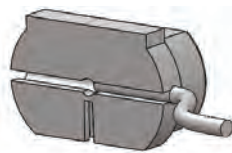
MECHANICAL DIAGRAMS



WIRE OUTLET LOCATIONS

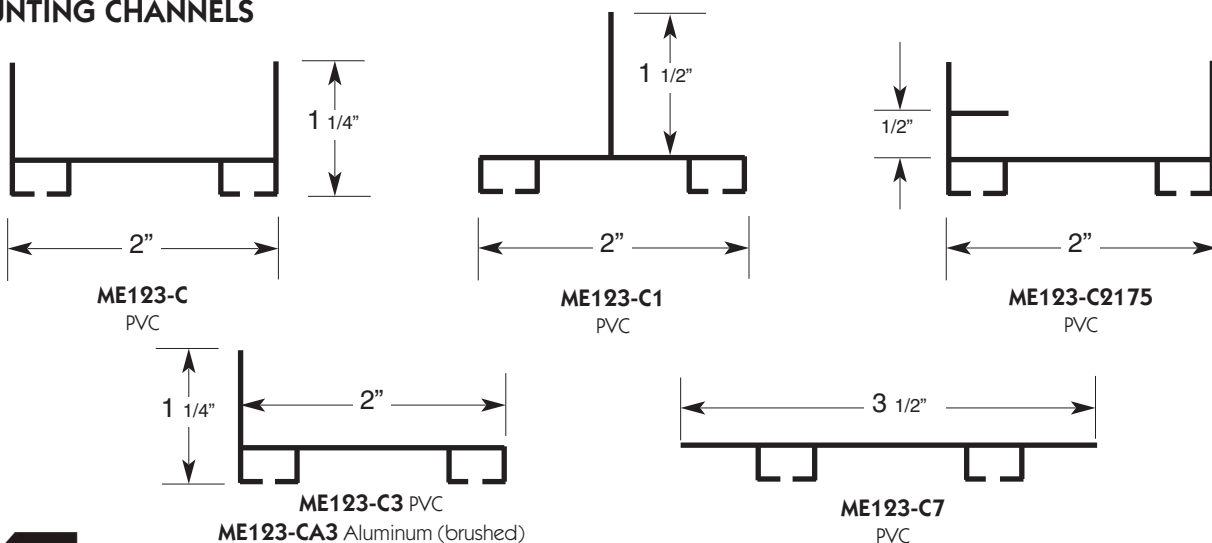


Universal End



Universal Side

MOUNTING CHANNELS



Contact Miller Edge to ensure compatibility with your operating controls.
U.S. Patent 9,091,108 Other patents apply.

ME123_Spec_20180801