

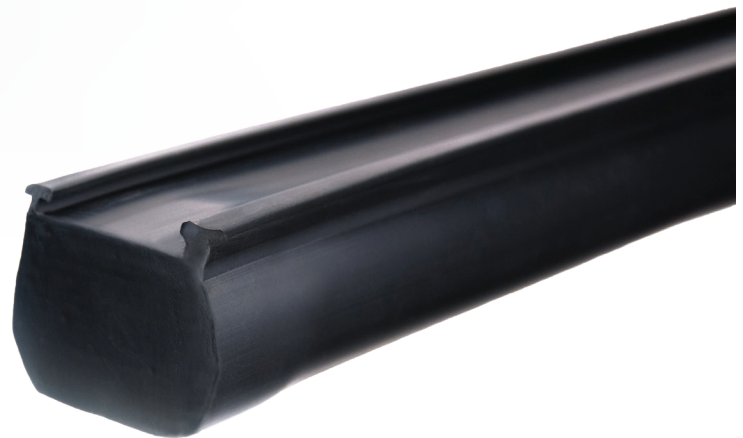
Sensing Edge

MG123



TOUCH SENSITIVE SIGNALING

The MG123 sensing edge is the gate industry's go-to 2 inch extruded edge. It is designed to fit a variety of applications and is custom manufactured to your specified length. When touched lightly, MG123 will send an immediate electrical signal to operator controls to stop and/or reverse gate operation. This slide-in style edge features a double-T mounting design which provides superior stability.



APPLICATIONS

- Motorized gates
 - Slide gates
 - Cantilever gates
 - Overhead gates
 - Vertical lift gates
 - Vertical pivot gates

FEATURES

- Easy to install
- Optimum size for 2 inch gate surfaces
- Double-T design for added stability
- Mounts vertically or horizontally
- Sealed assembly impervious to dust and debris
- Various mounting channel options
- Custom manufactured to user specifications for length and outlet location
- Patented Alumaglas™ for superior performance (electric option)
- UL 325 Recognized Component
- 1-year warranty (2-year for MG123-U)
- Made in USA

610-869-4422
www.milleredge.com





Sensing Edge

MG123

GENERAL SPECIFICATIONS

Color	● Black
Length	Order in 1/4 in. increments (manufacturing tolerance $\pm 1/4$ in.)
Maximum Length	100 ft.
Sensitivity	Nominal 4-7 lbf
Lead Wire	SJTO, 18 gauge, 2 ft. length, or 22 gauge universal, 2 ft. length
Wire Outlet Location	Left, right, end, top, or universal end plug
Electrical Maximum	24 volts AC/DC, 1/2 amp
Electrical Configuration	Normally open
Operating Temperature	-30 °F to 155 °F (-34 °C to 68 °C)
Exterior Materials	Flexible PVC
Contact Element	Alumaglas™
Agency Approvals	us UL 325 Recognized Component

OPTIONS

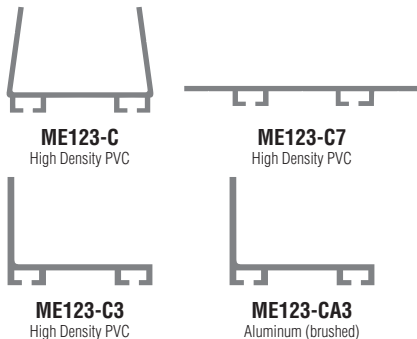
Configurations:

- Monitored
 - 2-Wire
 - 10K resistor
 - 8.2K resistor
 - Diode capacitor
- 4-Wire
- Non-Monitored
 - 2-Wire

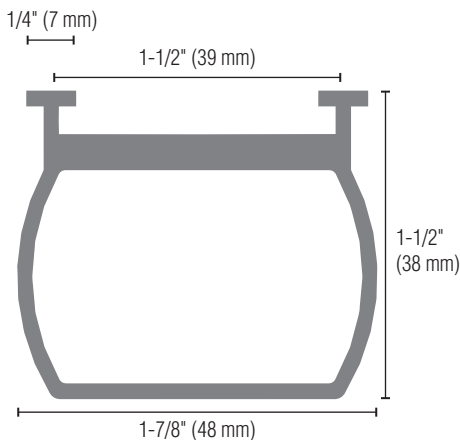
Other Options:

- Coil cord attached
- End flaps
- 10 ft. lead wire
- Universal end plug
- Series connect option
- Mounting channels

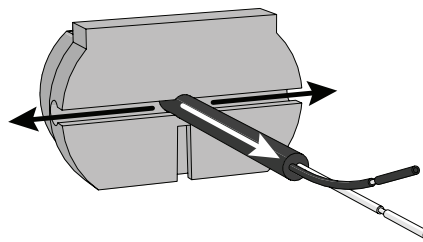
OPTIONAL MOUNTING CHANNELS



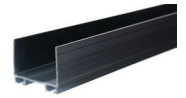
DIMENSIONS



OPTIONAL UNIVERSAL END PLUG



RELATED PRODUCTS



MOUNTING CHANNELS



TRANSMITTERS/RECEIVERS



INTERFACE MODULES



INTERFACE MODULES



EDGE TESTER



Contact Miller Edge to ensure compatibility.

© Miller Edge, Inc. All rights reserved
MG123_20201218