

# Sensing Edge

## ME123



## TOUCH SENSITIVE SIGNALING

The ME123 sensing edge is the industry's go-to, two inch extruded edge designed to fit a variety of door applications. It is custom manufactured to specified color and length. When touched lightly, ME123 will send an immediate electrical signal to operator controls to stop and/or reverse gate operation. This slide-in style edge features a double-T mounting design which provides superior stability.



### APPLICATIONS

- Sectional doors
- Horizontal sliding doors
- Scissor lifts
- Conveyor systems
- Presses

### FEATURES

- Easy to install
- Optimum size for 2 inch thick surfaces
- Double-T design for added stability
- Mounts vertically or horizontally
- Sealed assembly impervious to dust and debris
- Various mounting channel options
- Custom manufactured to user specifications for color, length, and outlet location
- Patented Alumaglas™ for superior performance (electric option)
- UL 325 Recognized Component
- 1-year warranty (2-year for ME123-U)
- Made in USA

610-869-4422  
[www.milleredge.com](http://www.milleredge.com)





# Sensing Edge

## ME123

### GENERAL SPECIFICATIONS

Color	● Black or ● Yellow
Length	Order in 1/4 in. increments (manufacturing tolerance $\pm 1/4$ in.)
Maximum Length	Electric ⚡: 100 ft., Air-Wave 🌊: 60 ft., Pneumatic 🌬️: 18 ft.
Sensitivity	Nominal 6-11 lbf
Lead Wire	SJTO, 18 gauge, 2 ft. length, or 22 gauge universal, 2 ft. length
Wire Outlet Location	Left, right, end, top, or universal end plug
Electrical Maximum	24 volts AC/DC, 1/2 amp
Electrical Configuration	Normally open
Exterior Materials	Flexible PVC
Contact Element	Alumaglas™ (electric configurations)
Agency Approvals	us UL 325 Recognized Component

### OPTIONS

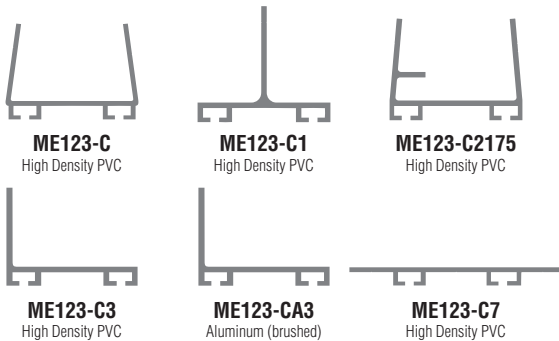
#### Configurations:

- Monitored
  - 2-Wire ⚡
    - 10K resistor
    - 8.2K resistor
    - Diode capacitor
  - 4-Wire ⚡
- Non-Monitored
  - 2-Wire ⚡
  - Air-Wave 🌊
  - Pneumatic 🌬️

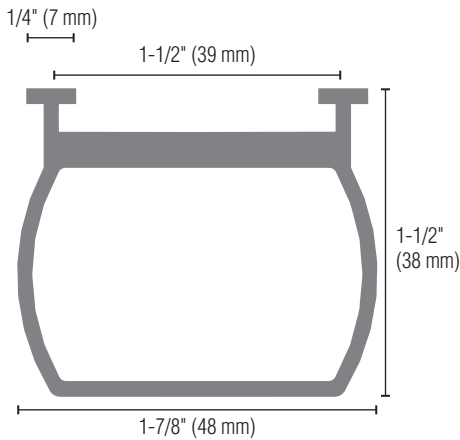
#### Other Options:

- Coil cord attached
- End flaps
- 10 ft. lead wire
- Universal end plug
- Series connect option
- Mounting channels

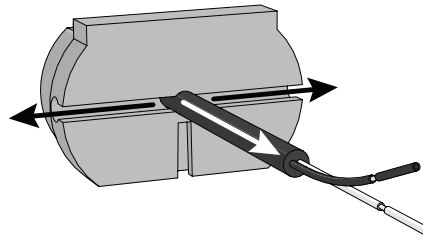
### OPTIONAL MOUNTING CHANNELS



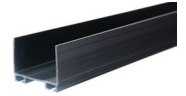
### DIMENSIONS



### OPTIONAL UNIVERSAL END PLUG



### RELATED PRODUCTS



MOUNTING CHANNELS



TRANSMITTERS/RECEIVERS



INTERFACE MODULES



COIL CORDS



RETRACTING REELS



JUNCTION BOXES



EDGE TESTER



Contact Miller Edge to ensure compatibility.

© Miller Edge, Inc. All rights reserved  
ME123\_20201218