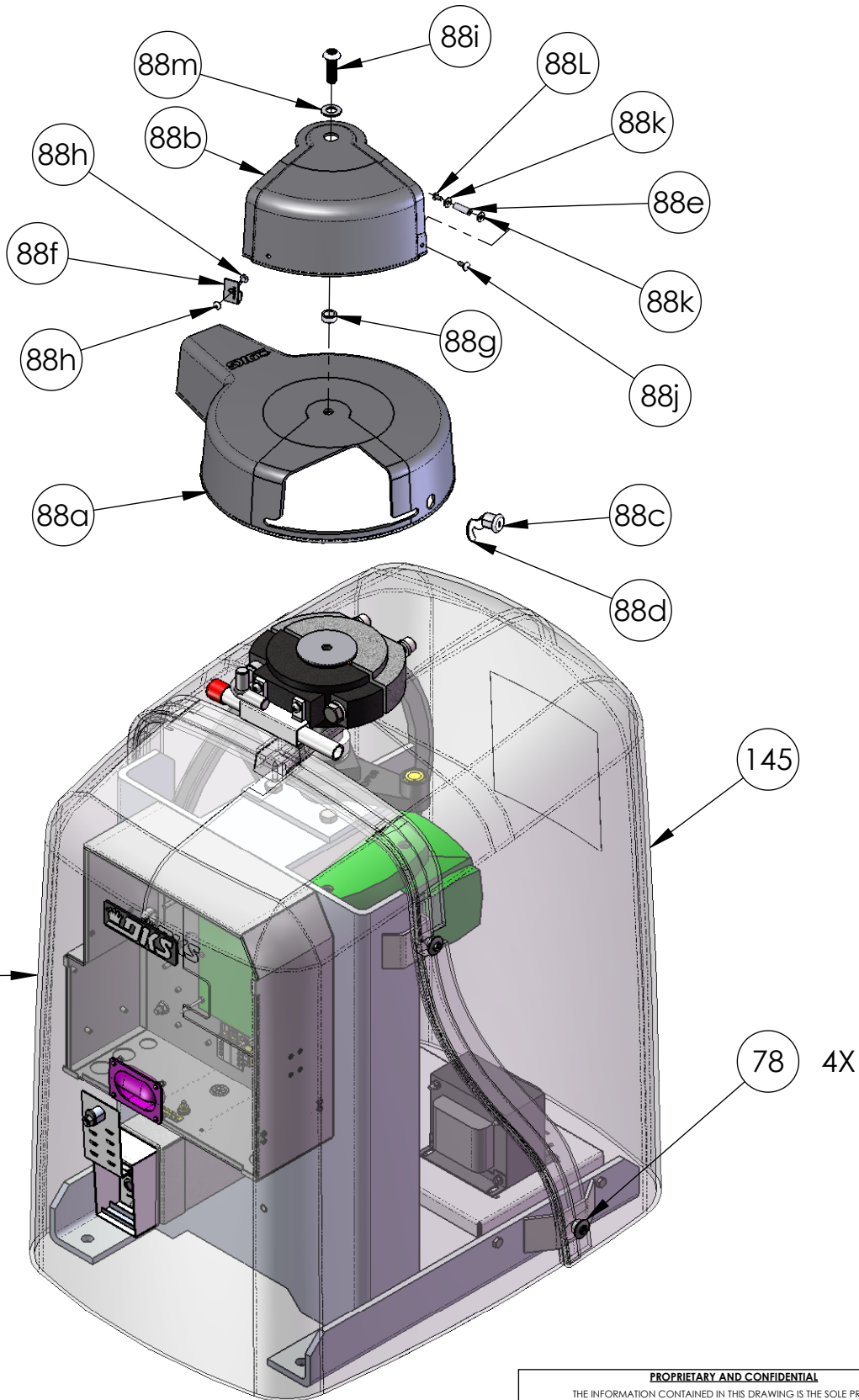


REVISIONS

| ZONE | REV. | DESCRIPTION | DATE | APPROVED |
|------|------|---------------------------------------------------------------|----------|----------|
| | A | New Drawing | 8/9/2011 | DC |
| | B | Add created Assembly #6550-117 , remove 6550-115 and 2601-296 | 2/22/13 | DC |

ITEM 88 Cover Turret Assembly



- 3. Item 104 6500-066 Manual Installation Quick Install
- 2. Item 103 6500-065 Manual Installation Swing Gate
- 1. Item 102 6500-043 Wire Set
Included with Operator not Shown.

Notes: Unless Otherwise Specified.

PROPRIETARY AND CONFIDENTIAL

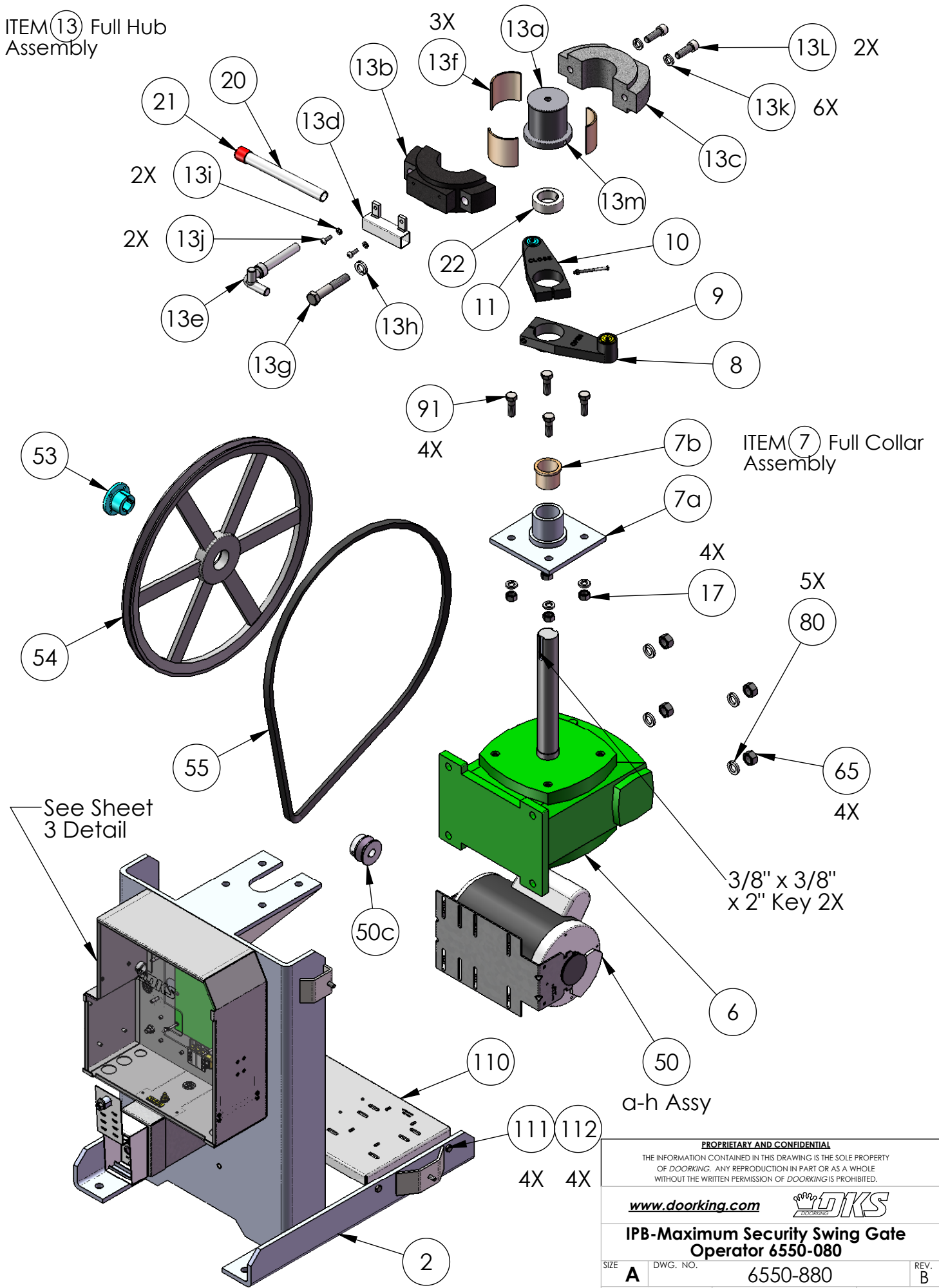
THE INFORMATION CONTAINED IN THIS DRAWING IS THE SOLE PROPERTY OF DOORING. ANY REPRODUCTION IN PART OR AS A WHOLE WITHOUT THE WRITTEN PERMISSION OF DOORING IS PROHIBITED.

www.dooring.com 

IPB-Maximum Security Swing Gate Operator 6550-080

| | | | | | |
|-------------|---|----------|--------------|------|---|
| SIZE | A | DWG. NO. | 6550-880 | REV. | B |
| Scale: None | | | SHEET 1 OF 6 | | |

ITEM 13 Full Hub Assembly



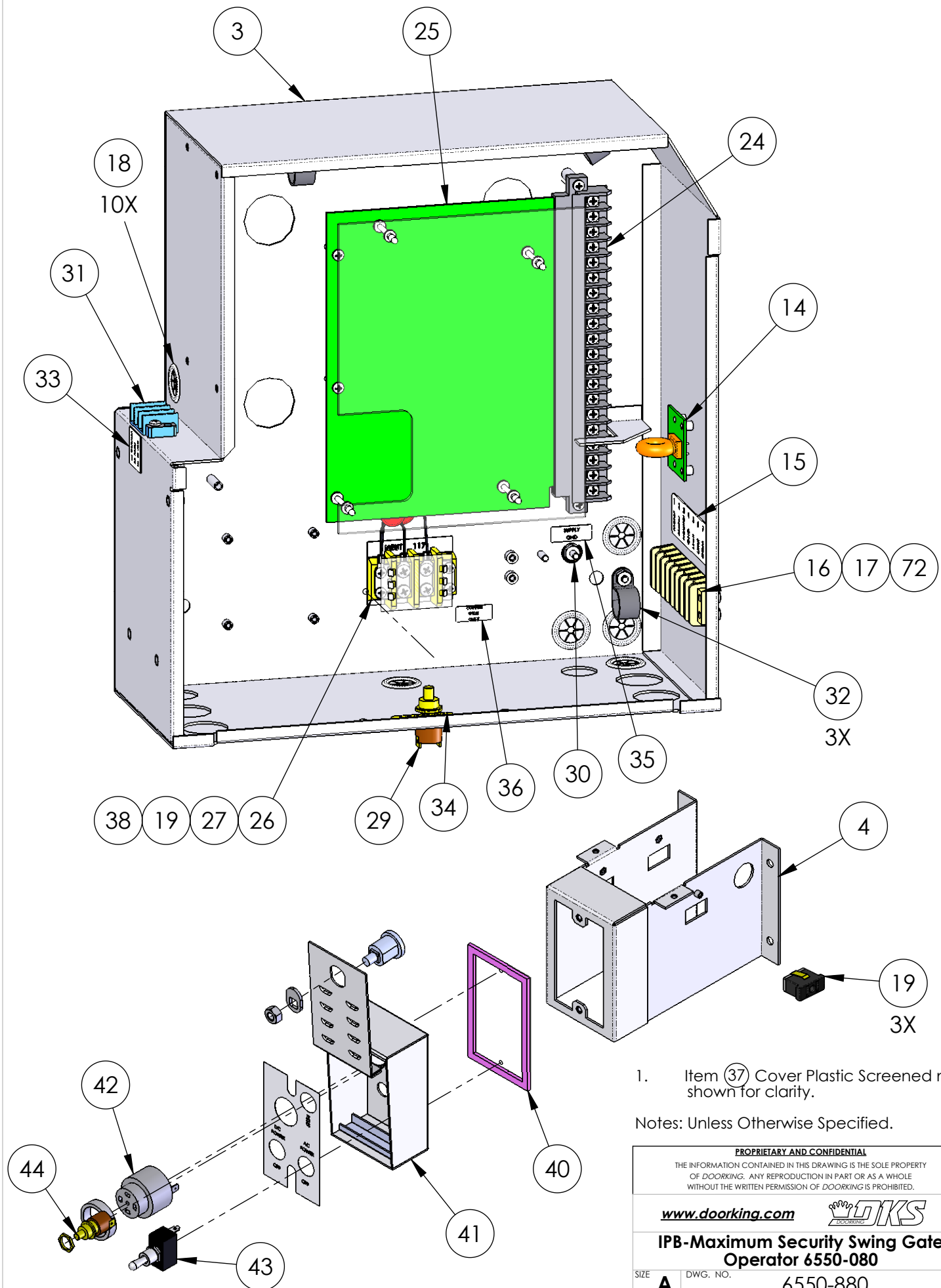
PROPRIETARY AND CONFIDENTIAL
 THE INFORMATION CONTAINED IN THIS DRAWING IS THE SOLE PROPERTY OF DOORING. ANY REPRODUCTION IN PART OR AS A WHOLE WITHOUT THE WRITTEN PERMISSION OF DOORING IS PROHIBITED.

www.dooring.com 

IPB-Maximum Security Swing Gate Operator 6550-080

| | | |
|------|----------|------|
| SIZE | DWG. NO. | REV. |
| A | 6550-880 | B |

Scale: None SHEET 2 OF 6

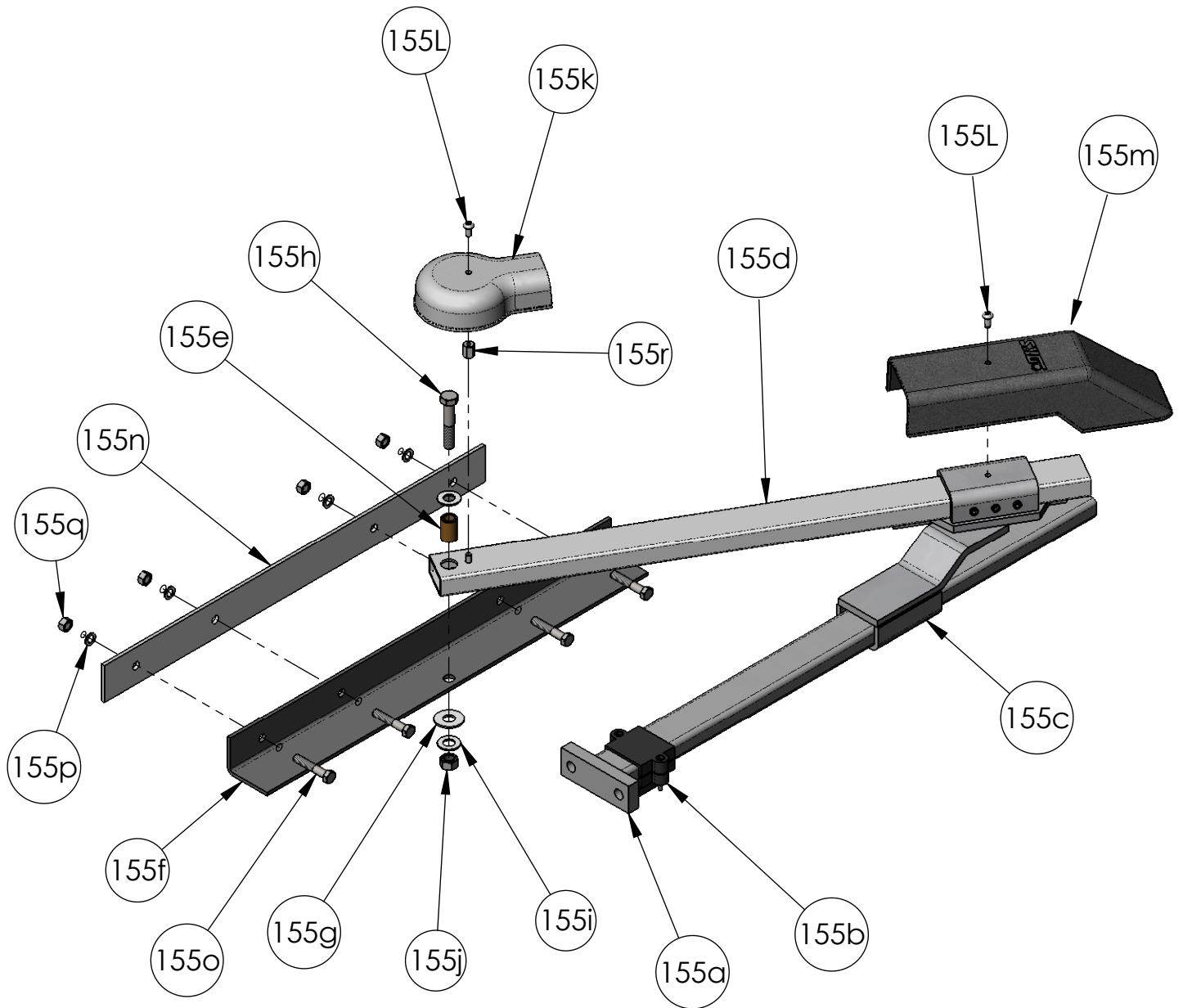


1. Item (37) Cover Plastic Screened not shown for clarity.

Notes: Unless Otherwise Specified.

| | | | |
|------------------------------------------------------------------------------------------------------------------------------------------------------------------------------|----------|----------|--------------|
| PROPRIETARY AND CONFIDENTIAL | | | |
| THE INFORMATION CONTAINED IN THIS DRAWING IS THE SOLE PROPERTY OF DOORKING. ANY REPRODUCTION IN PART OR AS A WHOLE WITHOUT THE WRITTEN PERMISSION OF DOORKING IS PROHIBITED. | | | |
| www.doorking.com | | | |
| IPB-Maximum Security Swing Gate Operator 6550-080 | | | |
| SIZE | DWG. NO. | REV. | |
| A | 6550-880 | B | |
| Scale: None | | | SHEET 3 OF 6 |


ITEM 155 Full Arm Assembly



Notes: Unless Otherwise Specified.

PROPRIETARY AND CONFIDENTIAL

THE INFORMATION CONTAINED IN THIS DRAWING IS THE SOLE PROPERTY OF DOORKING. ANY REPRODUCTION IN PART OR AS A WHOLE WITHOUT THE WRITTEN PERMISSION OF DOORKING IS PROHIBITED.

www.doorking.com 


IPB-Maximum Security Swing Gate Operator 6550-080

| | | |
|-------------|----------|--------------|
| SIZE | DWG. NO. | REV. |
| A | 6550-880 | B |
| Scale: None | | SHEET 4 OF 6 |

| Item# | Part # | Unit | Description |
|-------------------------|----------|-------|------------------------------------|
| 2 | 6550-150 | 1 EA | Base Stand Swinger 6550 |
| 3 | 6500-100 | 1 EA | Box Control Swinger |
| 4 | 6500-105 | 1 EA | Bracket Switch Box-Tfmr Mount |
| 6 | 2601-305 | 1 EA | Gearbox Sw Gate 6550 |
| 7 | 6550-117 | 1 EA | Collar Limit Switch Mount Assembly |
| Sub-Assembly Parts List | | | |
| 7a | 6550-115 | 1 EA | Collar Steel Limit holder |
| 7b | 2601-296 | 1 EA | Bushing Bronze |
| 8 | 6600-030 | 1 EA | Bracket Plastic Limit Switch |
| 9 | 1601-263 | 1 EA | Switch Mag Sensor Reces Yellow |
| 10 | 6600-032 | 1 EA | Bracket Plastic Limit Switch |
| 11 | 1601-261 | 1 EA | Switch Mag Sensor Rec Orange |
| 13 | 6550-410 | 1 EA | Hub Assembly 1 HP |
| Sub-Assembly Parts List | | | |
| 13a | 6600-215 | 1 EA | Hub Large HD Swinger |
| 13b | 6500-170 | 1 EA | Hub Clamp 1HP Swinger |
| 13c | 6500-165 | 1 EA | Hub Clamp 1HP Swinger Arm Half |
| 13d | 6500-205 | 1 EA | Hub Bar Holder Large 1 HP |
| 13e | 6500-190 | 1 EA | Release Screw Large Hub L |
| 13 f | 6500-140 | 3 EA | Bushing Brass 1.375 R |
| 13 g | 2615-043 | 1 EA | Bolt Hex Head 5/8-11x3 1/2" |
| 13 h | 2620-049 | 1 EA | Lockwasher 5/8" |
| 13 i | 2620-109 | 2 EA | Washer 1/4" Split Lock |
| 13 j | 2905-067 | 2 EA | Screw Phillips Head 1/4-20x3/4 |
| 13 k | 2620-050 | 2 EA | Lockwasher 1/2" |
| 13 L | 2615-829 | 2 EA | Bolt Hex Soc RH 1/2-13 x 1 1/2 |
| 13m | 2616-099 | 2 EA | Set Screw 3/8-16 x 1/2 |
| 14 | 2343-010 | 1 EA | PCB Current Sensor |
| 15 | 2599-063 | 1 EA | Label 6500 8 Terminal Mstr-Slv |
| 16 | 3130-023 | 1 EA | Terminal Strip 8 dual Row Scrw |
| 17 | 3129-008 | 1 EA | Terminal Block Cover 8 Position |
| 18 | 2600-810 | 12 EA | Bushing 7/8 Poke Thru Flaps |
| 19 | 1200-028 | 3 EA | Outlet Snap-In Leviton 1306 |
| 20 | 6500-200 | 1 EA | Tool - Hub Clutch Release |
| 21 | 2601-097 | 1 EA | Cap Red Vinyl for Tool |
| 22 | 2601-161 | 1 EA | Collar 1 1/2" ID |
| 24 | 4001-020 | 1 EA | Terminal 20 Pin |
| 25 | 4405-010 | 1 EA | PCB Gate Operator |
| 26 | 2600-410 | 1 EA | Marker Strip Silkscn Both Side |
| 27 | 2600-414 | 1 EA | Terminal Block-2 Position |
| 28 | 3129-002 | 1 EA | Terminal Block Cover |
| 29 | 1812-005 | 1 EA | Switch Push Button N.O. |
| 30 | 2600-439 | 1 EA | Washer Cup - Brass |
| 31 | 2600-413 | 1 EA | Terminal Block-3 Position |
| 32 | 2600-619 | 3 EA | Wire Clp-5/8" |
| 33 | 2599-038 | 1 EA | Label Radio 9310 |
| 34 | 2599-096 | 1 EA | Label Push to Operate |
| 35 | 2599-006 | 1 EA | Decal SUPPLY GND |
| 36 | 2599-014 | 1 EA | Decal Copper Wire Only |
| 37 | 6500-005 | 1 EA | Cover Plastic Screened |
| 38 | 4001-093 | 1 EA | MOV Assembly 130VAC |
| 40 | 2600-731 | 1 EA | Gasket Switch Cover |
| 41 | 2600-533 | 1 EA | Switch Cover Doorking Lockable |
| 42 | 1506-071 | 1 EA | Tone Generator Loud |
| 43 | 1601-041 | 1 EA | Switch Toggle SPST 2POS |
| 44 | 1812-005 | 1 EA | Switch Push Button N.O. |
| 50 | 2601-162 | 1 EA | Motor Assy 1HP Model 6550 |
| Sub-Assembly Parts List | | | |
| 50a | 2600-171 | 1 EA | Motor 1 H.P. Emerson |
| 50b | 2600-837 | 1 EA | Motor Base 1 HP |
| 50c | 2601-300 | 1 EA | Pulley 2" B Belt |
| 50d | 2616-094 | 1 EA | Set Screw 5/16-18 x1/4 Zinc Pt |
| 50e | 2600-810 | 1 EA | Bushing 7/8 Poke Thru Flaps |
| 50f | 7082-059 | 1 EA | Wire 8.5" Green 18 AWG Strd |
| 50g | 2616-438 | 1 EA | Screw Hex 8-32x1/4" |
| 50h | 2600-823 | 1 EA | Bushing 3/4 Thru Plastic |
| 53 | 2601-293 | 1 EA | Hub 1" Dia for Pulley 18 3/4" |
| 54 | 2601-292 | 1 EA | Pulley 18 3/4" |
| 55 | 2601-290 | 1 EA | Belt - 62" |
| 60 | 2620-411 | 10 EA | Nut Hex Flange Lock 5/16-18 |
| 61 | 2620-409 | 4 EA | Nut Hex Flange Lock 1/4-20 |
| 62 | 2902-004 | 4 EA | Nut Nylon Lock 8-32 |
| 64 | 2902-006 | 2 EA | Nut Nylon Lock 10-32 |
| 65 | 2620-435 | 4 EA | Nut Hex 5/8-11 |

| | | | |
|---------------------------------------------------------------------------------------------------------------------------------------------------------------------------------------------|----------|---------------------------------------------------------------------------------------|-----------------------------|
| PROPRIETARY AND CONFIDENTIAL | | | |
| <small>THE INFORMATION CONTAINED IN THIS DRAWING IS THE SOLE PROPERTY OF DOORKING. ANY REPRODUCTION IN PART OR AS A WHOLE WITHOUT THE WRITTEN PERMISSION OF DOORKING IS PROHIBITED.</small> | | | |
| www.doorking.com | |  | |
| IPB-Maximum Security Swing Gate Operator 6550-080 | | | |
| SIZE | DWG. NO. | REV. | |
| A | 6550-880 | B | |
| <small>Scale: None</small> | | | <small>SHEET 5 OF 6</small> |

| Item# | Part # | Unit | Description |
|--------------------------|----------|-------|---------------------------------|
| 66 | 2620-420 | 4 EA | Nut Hex 1/2-13 |
| 69 | 2616-097 | 2 EA | Set Screw 5/16-18 x 3/8 |
| 70 | 2616-018 | 2 EA | Screw Phillips Head 8-32 x 1/2 |
| 71 | 2616-051 | 2 EA | Screw Phillips 10-32x3/8 |
| 72 | 2616-002 | 8 EA | Screw Phillips Head 6-32 x 1/2 |
| 73 | 2616-007 | 2 EA | Screw Phillips Head 6-32x5/8" |
| 74 | 2616-000 | 4 EA | Screw Phillips Head 6-32 x 1/4 |
| 75 | 2616-003 | 4 EA | Screw Phillips Head 6-32x3/4SS |
| 76 | 2616-001 | 2 EA | Screw Phillips Head 6-32 x 3/8 |
| 77 | 2616-060 | 2 EA | Screw Phillips Head 10-32x2 1/2 |
| 78 | 2616-580 | 4 EA | Nut Barrel 5/16-18 Thread |
| 79 | 2616-438 | 1 EA | Screw Hex 8-32x1 1/4" |
| 80 | 2620-049 | 4 EA | Lockwasher 5/8" |
| 81 | 2620-050 | 4 EA | Lockwasher 1/2" |
| 82 | 2620-023 | 4 EA | Washer 5/8" SAE |
| 88 | 6500-440 | 1 EA | Cover Turret Assembly |
| Sub-Assembly Parts List: | | | |
| 88a | 6500-210 | 1 EA | Cover Turret |
| 88b | 6500-215 | 1 EA | Cover Access Turret |
| 88c | 4001-035 | 1 EA | Lock N16058BDxSFx2K Key 16120 |
| 88d | 1702-507 | 1 EA | Cam "J" Hook |
| 88e | 2900-916 | 1 EA | Standoff 10-32 x 1" Alum |
| 88f | 6500-281 | 1 EA | Clip Access Cover Injection Md |
| 88g | 6500-276 | 1 EA | Spacer Steel .75ODx.53IDx.32L |
| 88h | 2616-581 | 1 EA | Nut Barrel Type 10-32 Thd SS |
| 88i | 2615-883 | 1 EA | Bolt Button Socket 1/2x13x1 1/2 |
| 81j | 2615-605 | 1 EA | Bolt Carriage 10-32 x 1/2 SS |
| 81k | 2620-010 | 1 EA | Washer #10 SAE |
| 81L | 2616-051 | 1 EA | Screw Phillips 10-32x3/8 |
| 81m | 2620-060 | 1 EA | Washer Plastic Seal 1/2" Bolt |
| 91 | 2615-181 | 4 EA | Bolt Hex Head 1/2-13 x 1 1/2 |
| 100 | 9402-053 | 2 IN | Tubing Flex/slit 1/4OD |
| 101 | 9402-055 | .2 FT | Tubing Flex Split 1/2" |
| 102 | 6500-043 | 1 EA | Wire Set for 6500 Operator |
| 103 | 6500-065 | 1 EA | Manual Installation Swing Gate |
| 104 | 6500-066 | 1 EA | Manual Install Quick Start |
| 110 | 6550-108 | 1 EA | Transformer Heater Panel |
| 111 | 2615-154 | 4 EA | Bolt Hex Head |
| 112 | 2620-411 | 4 EA | Nut Flange lock |
| 120 | 2599-100 | 2 EA | Sign Warning |
| 125 | 2599-220 | 1 EA | Label Caution Remove Rod |
| 135 | 1860-032 | 2 EA | Washer Nylon Retaining #6 |
| 140 | 6550-450 | 1 EA | Cover Front w/Handle |
| Sub-Assembly Parts List: | | | |
| 140a | 6550-235 | 1 EA | Cover Operator Front w/Handle |
| 140b | 2601-095 | 1 EA | Handle Pull Flush BlackPlastic |
| 140c | 2616-430 | 4 EA | Screw 6-32x1/2" Oval Head |
| 140d | 2902-003 | 4 EA | Nut Nylon Lock 6-32 |
| 140e | 2600-732 | 1 EA | Nameplate Plastic DKS Big |
| 140f | 2802-040 | 2 EA | Washer Push on Clamp |
| 140g | 1897-050 | 2 EA | Gasket Support Thick 1/16" |
| 145 | 6550-460 | 1 EA | Cover Back w/Labels |
| Sub-Assembly Parts List: | | | |
| 145a | 6550-240 | 1 EA | Cover Operator Front w/Handle |
| 145b | 2599-034 | 1 EA | Label Gate Operator |
| 145c | 2599-199 | 1 EA | Label Universal |
| 155 | 6550-430 | 1 EA | Arm Main Assembly |
| Sub-Assembly Parts List: | | | |
| 155a | 2601-285 | 1 EA | Arm Connecting Rod Lower |
| 155b | 6500-420 | 1 EA | Magnet Assembly Arm |
| 155c | 2600-720 | 1 EA | Crank Arm Joint Assembly Blk |
| 155d | 2601-283 | 1 EA | Connecting Rod HD 6ft |
| 155e | 2600-054 | 1 EA | Spacer 3/4OD x 1/2ID x1 1/8L |
| 155f | 6500-270 | 1 EA | Bracket 'L' Gate Mount |
| 155g | 2620-030 | 1 EA | Washer 1/2" USS |
| 155h | 2615-084 | 1 EA | Bolt Hex Head 1/2-13 x 2 1/2 |
| 155i | 2620-021 | 2 EA | Washer 1/2" SAE |
| 155j | 2620-320 | 1 EA | Nut Center Lock 1/2-13 |
| 155k | 6500-225 | 1 EA | Cover Pivot Gate Bracket |
| 155L | 2905-065 | 2 EA | Screw Phillips Head 1/4-20x1/2 |
| 155m | 6500-220 | 1 EA | Cover Elbow Connector Arm |
| 155n | 6500-272 | 1 EA | Bracket Flat Gate Mount |
| 155o | 2615-054 | 4 EA | Bolt Hex Head 3/8-16 x 2 |
| 155p | 2620-047 | 4 EA | Lockwasher 3/8" |
| 155q | 2620-405 | 4 EA | Nut Hex 3/8-16 |
| 155r | 2620-450 | 1 EA | Nut Spacer 1/4-20x5/8" |

| | | |
|---------------------------------------------------------------------------------------------------------------------------------------------------------------------------------------------|----------|---------------------------------------------------------------------------------------|
| PROPRIETARY AND CONFIDENTIAL | | |
| <small>THE INFORMATION CONTAINED IN THIS DRAWING IS THE SOLE PROPERTY OF DOORKING. ANY REPRODUCTION IN PART OR AS A WHOLE WITHOUT THE WRITTEN PERMISSION OF DOORKING IS PROHIBITED.</small> | | |
| www.doorking.com | |  |
| IPB-Maximum Security Swing Gate Operator 6550-080 | | |
| SIZE | DWG. NO. | REV. |
| A | 6550-880 | B |
| <small>Scale: None</small> | | <small>SHEET 6 OF 6</small> |