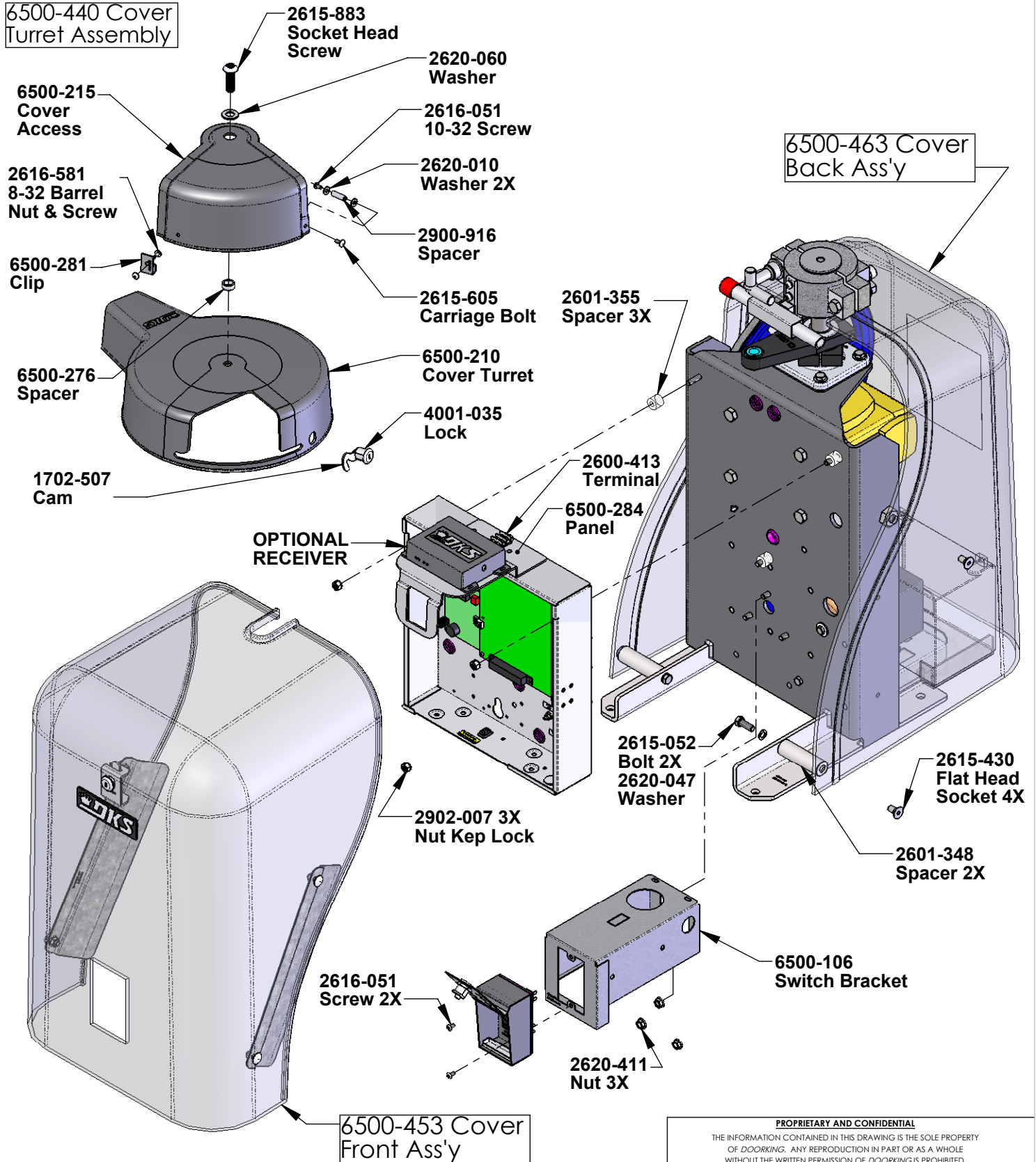


REVISIONS

ZONE	REV.	DESCRIPTION	DATE	APPROVED
	A	New Drawing	11/6/14	DC
	B-C	B Add Bushing plate 6500-123 1/14/15 DC C Added 9200-190 Resistor Kit UL325 12/1/16 PSK		
	D	Replace 6500-161 w/6500-162 Hub Ext Splined Replace 2600-717 with 2600-719 Gearbox, Remove 6500-146 Coupling, 2616-088 Set Screws and Keyways	5/11/16	DC

6500-440 Cover Turret Assembly



- 4. Item 9200-190 Resistor Kit UL325
 - 3. Item 6500-066 Manual Installation Quick Install
 - 2. Item 6500-065 Manual Installation Swing Gate
 - 1. Item 7082-187 Wire Set
- Included with Operator not Shown.

Notes: Unless Otherwise Specified.

PROPRIETARY AND CONFIDENTIAL

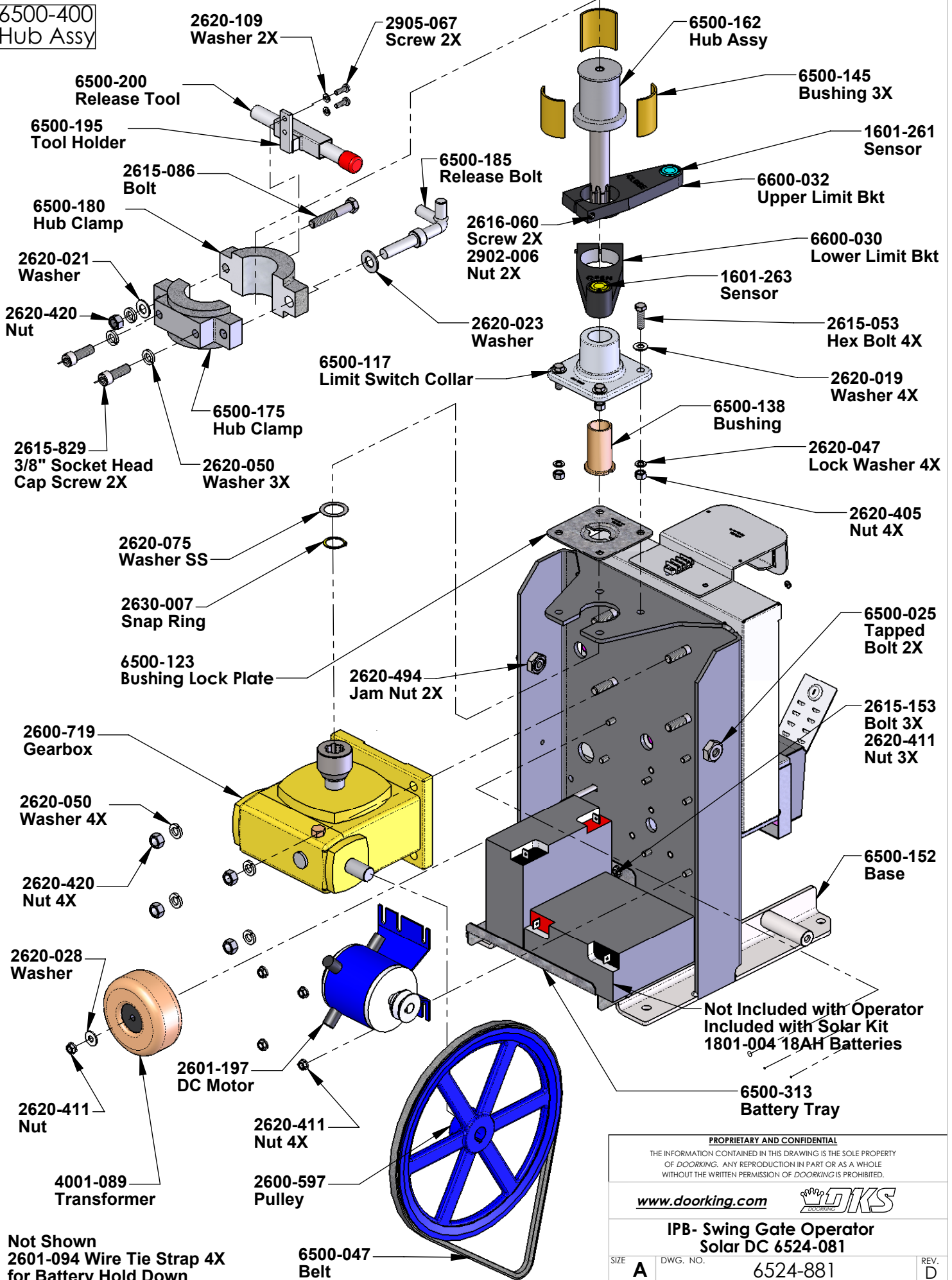
THE INFORMATION CONTAINED IN THIS DRAWING IS THE SOLE PROPERTY OF DOORKING. ANY REPRODUCTION IN PART OR AS A WHOLE WITHOUT THE WRITTEN PERMISSION OF DOORKING IS PROHIBITED.

www.doorking.com

**IPB- Swing Gate Operator
Solar DC 6524-081**

SIZE	A	DWG. NO.	6524-881	REV.	D
Scale: None			SHEET 1 OF 4		

**6500-400
Hub Assy**



Not Shown
2601-094 Wire Tie Strap 4X
for Battery Hold Down

PROPRIETARY AND CONFIDENTIAL

THE INFORMATION CONTAINED IN THIS DRAWING IS THE SOLE PROPERTY OF DOORKING. ANY REPRODUCTION IN PART OR AS A WHOLE WITHOUT THE WRITTEN PERMISSION OF DOORKING IS PROHIBITED.

www.doorking.com 

**IPB- Swing Gate Operator
Solar DC 6524-081**

SIZE	DWG. NO.	REV.
A	6524-881	D
Scale: None		SHEET 2 OF 4

2616-001
Screw 4X
6-32 x 3/8"

OPTIONAL
LOOP
DETECTOR
BOARD

9350-100
Enclosure

2600-810
Wire Grommet
6X

2900-905
Standoff
6-32 x 7/16"

2616-001
Screw 3X
6-32 x 3/8"

1400-021
Momentary
Switch

2599-006
Label Ground

4100-010
DC Board

2616-003
Screw 2X
6-32 x 3/4"

1601-007
Terminal
Strip

2600-414
Terminal
Strip

3129-002
Cover

2599-014
Label Copper
Wire Only

2600-439
Cup Washer
2902-010
Nut Ground

2902-010
Nut 8-32
Green Grd

4001-035
Lock

1702-505
Lock Cam

1400-022
Momentary
Switch

1506-071
Alarm

2600-402
Rocker Switch
On-Off 2X

2600-731
Gasket

2600-528
Switch Box

- Item 6524-005 Cover Plastic Screened not shown for clarity.
- Notes: Unless Otherwise Specified.

PROPRIETARY AND CONFIDENTIAL

THE INFORMATION CONTAINED IN THIS DRAWING IS THE SOLE PROPERTY OF DOORKING. ANY REPRODUCTION IN PART OR AS A WHOLE WITHOUT THE WRITTEN PERMISSION OF DOORKING IS PROHIBITED.

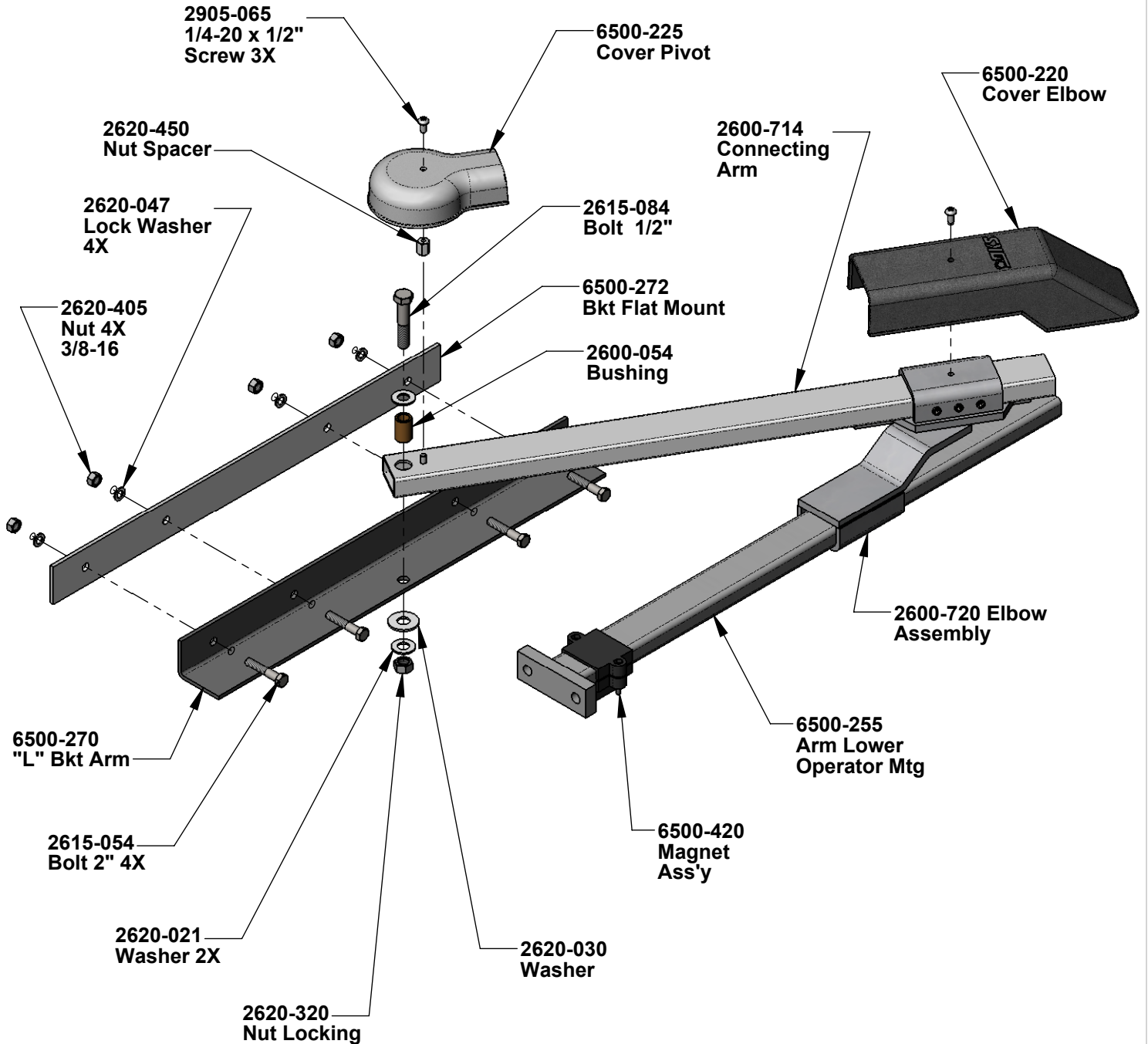
www.doorking.com



**IPB- Swing Gate Operator
Solar DC 6524-081**

SIZE	DWG. NO.	REV.
A	6524-881	D
Scale: None		SHEET 3 OF 4


6500-430 Full
Assembly
Main Arm



Notes: Unless Otherwise Specified.

PROPRIETARY AND CONFIDENTIAL

THE INFORMATION CONTAINED IN THIS DRAWING IS THE SOLE PROPERTY
OF DOORKING. ANY REPRODUCTION IN PART OR AS A WHOLE
WITHOUT THE WRITTEN PERMISSION OF DOORKING IS PROHIBITED.

www.doorking.com 

**IPB- Swing Gate Operator
Solar DC 6524-081**

SIZE	DWG. NO.	REV.
A	6524-881	D
Scale: None		SHEET 4 OF 4