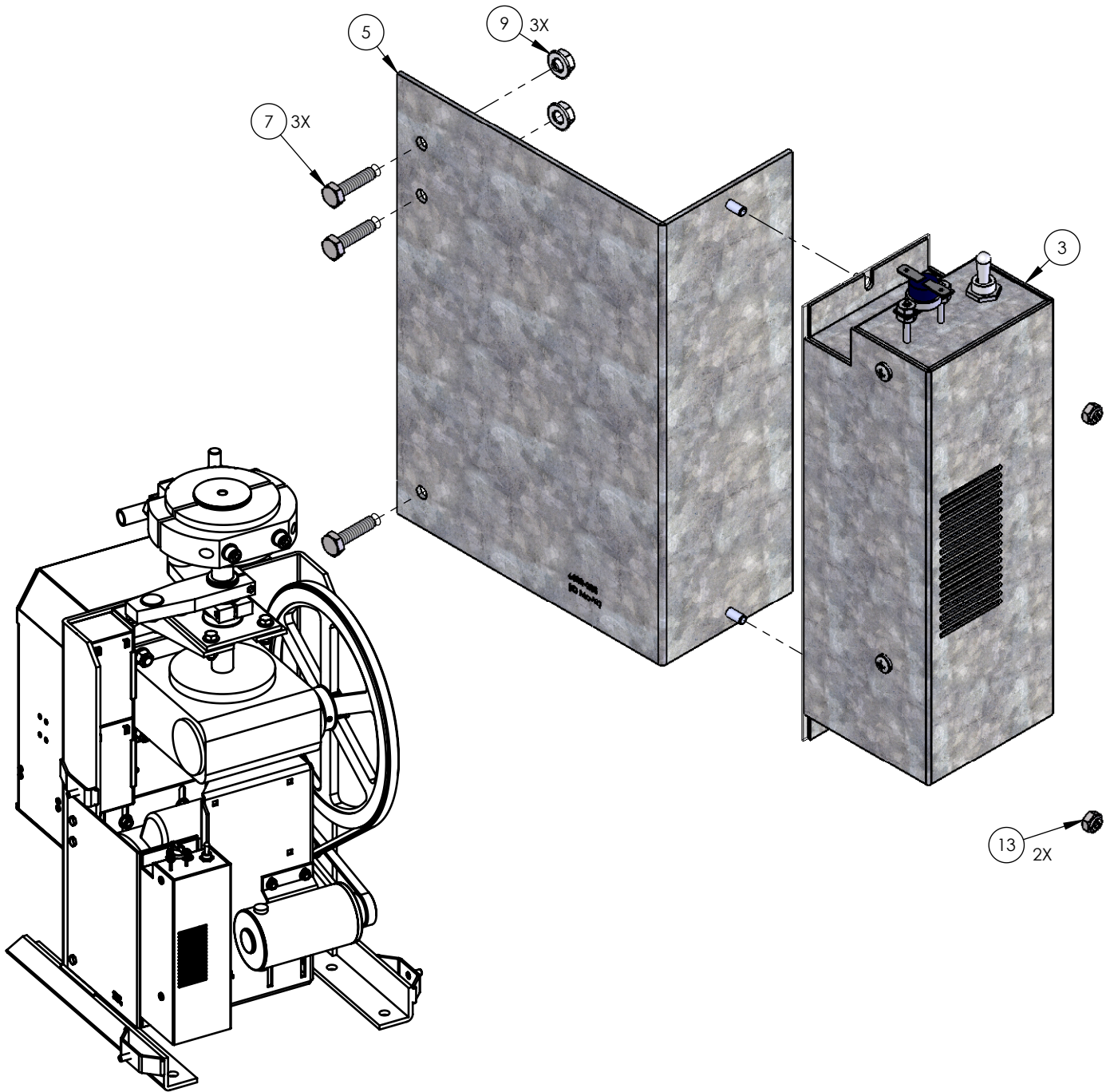


REVISIONS

REV	DESCRIPTION	DATE	APPR
A	Production Release	Sal 11/11/08	D.C. 11/11/08



1. See attached sheet for BOM;
Reference Movex 6500-848 Rev A.

Notes: Unless Otherwise Specified.

Item	Part Number	Qty	UM	Description	Rev
1	6500-848	1	EA	IPB-Model 6500-480, Heater Kit 6500	A
3	1601-154	1	EA	Heater With Fan Assy	
5	6500-285	1	EA	Bracket Heater Mount	
7	2615-005	3	EA	Bolt Hex Head 1/4"x20x1"	
11	2620-409	3	EA	Nut Hex Flange 1/4-20	
13	2902-006	3	EA	Nut Nylon Lock 10-32	

PROPRIETARY AND CONFIDENTIAL
 THE INFORMATION CONTAINED IN THIS DRAWING IS THE
 SOLE PROPERTY OF Door King.
 ANY REPRODUCTION IN PART OR AS A WHOLE WITHOUT
 THE WRITTEN PERMISSION OF Door King IS PROHIBITED.

**Heater Kit 6500
 Model 6500-480**

SIZE DWG
A 6500-848 **A**

SCALE: 1:8 SHEET 1 of 1