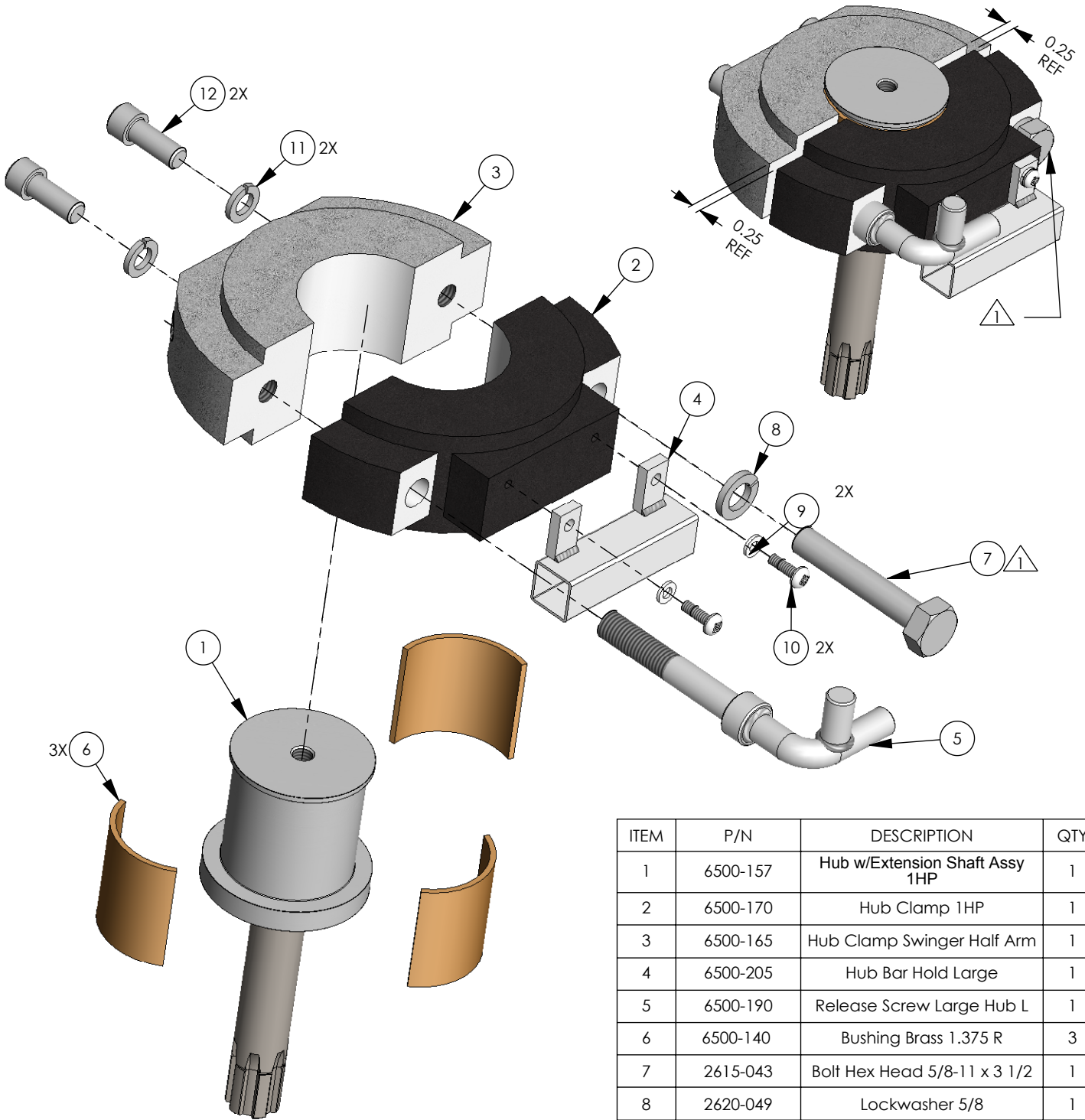


REVISIONS

EO	REV	DESCRIPTION	DATE	APPROVED
---	A	2905-067 Screw 1/4-20 x 3/4" was 2905-065 1/4-20 x 1/2"	09/25/12	D.C.
	B	Add 6500-156 Hub Assy w/Extension Shaft, Remove 6500-155 Hub and 2616-099 Set Screw 2X	12/2/2014	D.C.
	C	Replace 6500-156 with 6500-157 Splined Hub Assy	5/11/2016	D.C.



ITEM	P/N	DESCRIPTION	QTY
1	6500-157	Hub w/Extension Shaft Assy 1HP	1
2	6500-170	Hub Clamp 1HP	1
3	6500-165	Hub Clamp Swinger Half Arm	1
4	6500-205	Hub Bar Hold Large	1
5	6500-190	Release Screw Large Hub L	1
6	6500-140	Bushing Brass 1.375 R	3
7	2615-043	Bolt Hex Head 5/8-11 x 3 1/2	1
8	2620-049	Lockwasher 5/8	1
9	2620-109	Washer Split 1-4-20	2
10	2905-067	Screw 1-4-20x3-4	2
11	2620-050	Lockwasher 1/2	2
12	2615-829	Bolt Hex Soc RH 1/2-13 x 1 1/2	2

 Reference - Torque to 40lbs.

Notes: Unless Otherwise Specified.

PROPRIETARY AND CONFIDENTIAL
 THE INFORMATION CONTAINED IN THIS DRAWING IS THE SOLE PROPERTY OF Door King. ANY REPRODUCTION IN PART OR AS A WHOLE WITHOUT THE WRITTEN PERMISSION OF Door King IS PROHIBITED.

NAME	DATE
DRAWN Sal	08/06/07
CHECKED	
COMMENTS:	



Hub Assy-1HP

SIZE A	DWG. NO. 6500-410	REV. C
Scale: None		SHEET 1 OF 1