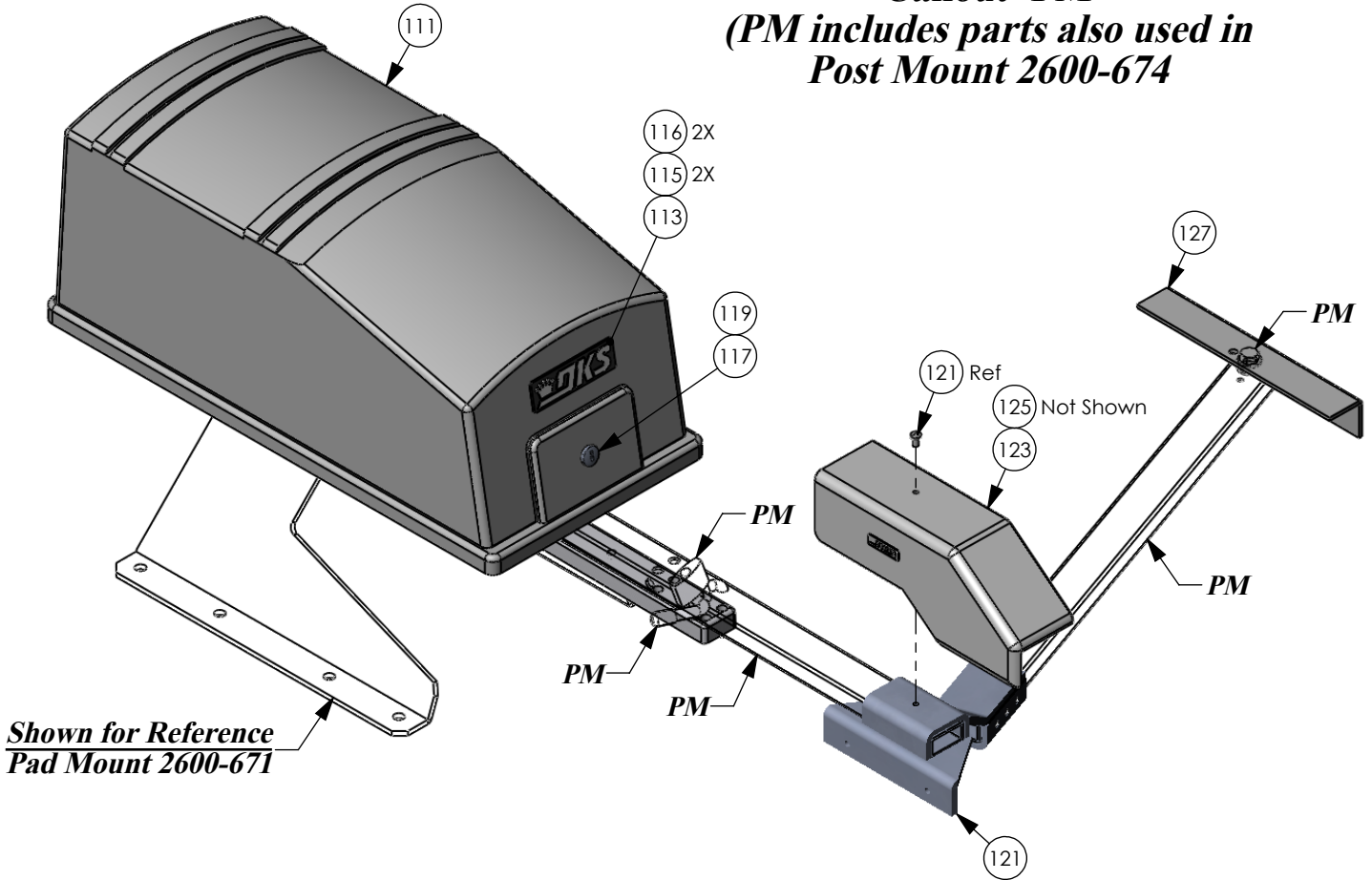
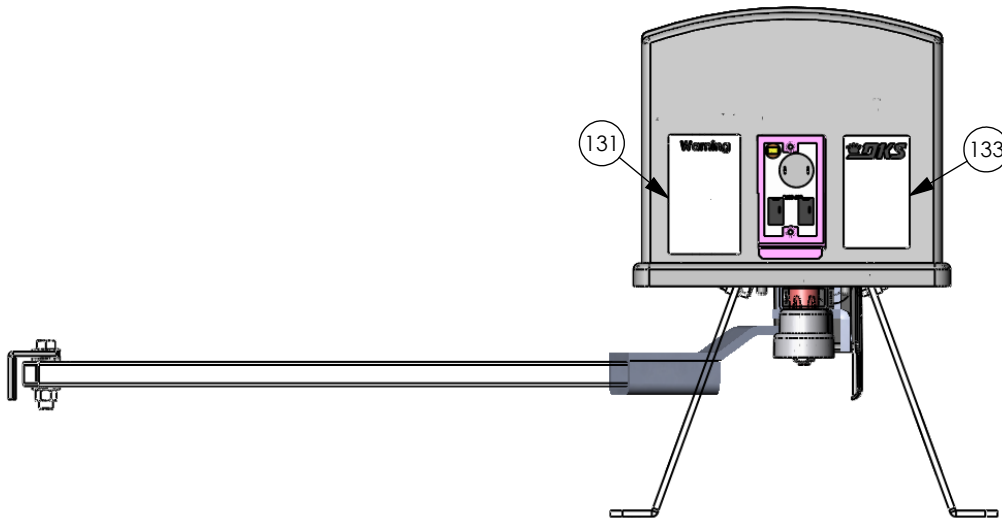


EO	REV	DESCRIPTION	Drawn	APPR
---	M	Added Item 116; Deleted Item 154 Was: 2615051.	Sal 10/24/08	D.C. 10/24/08

***Shown for Reference in Outline Form***  
***Pad Mount 2600-671***  
***Callout=PM***  
***(PM includes parts also used in***  
***Post Mount 2600-674***



***Shown for Reference***  
***Pad Mount 2600-671***



2. Items 200-211 Not Shown for Clarity.

1. See attached reference sheet for BOM;  
Reference Movex 6100-082 Rev M.

Notes: Unless Otherwise Specified.

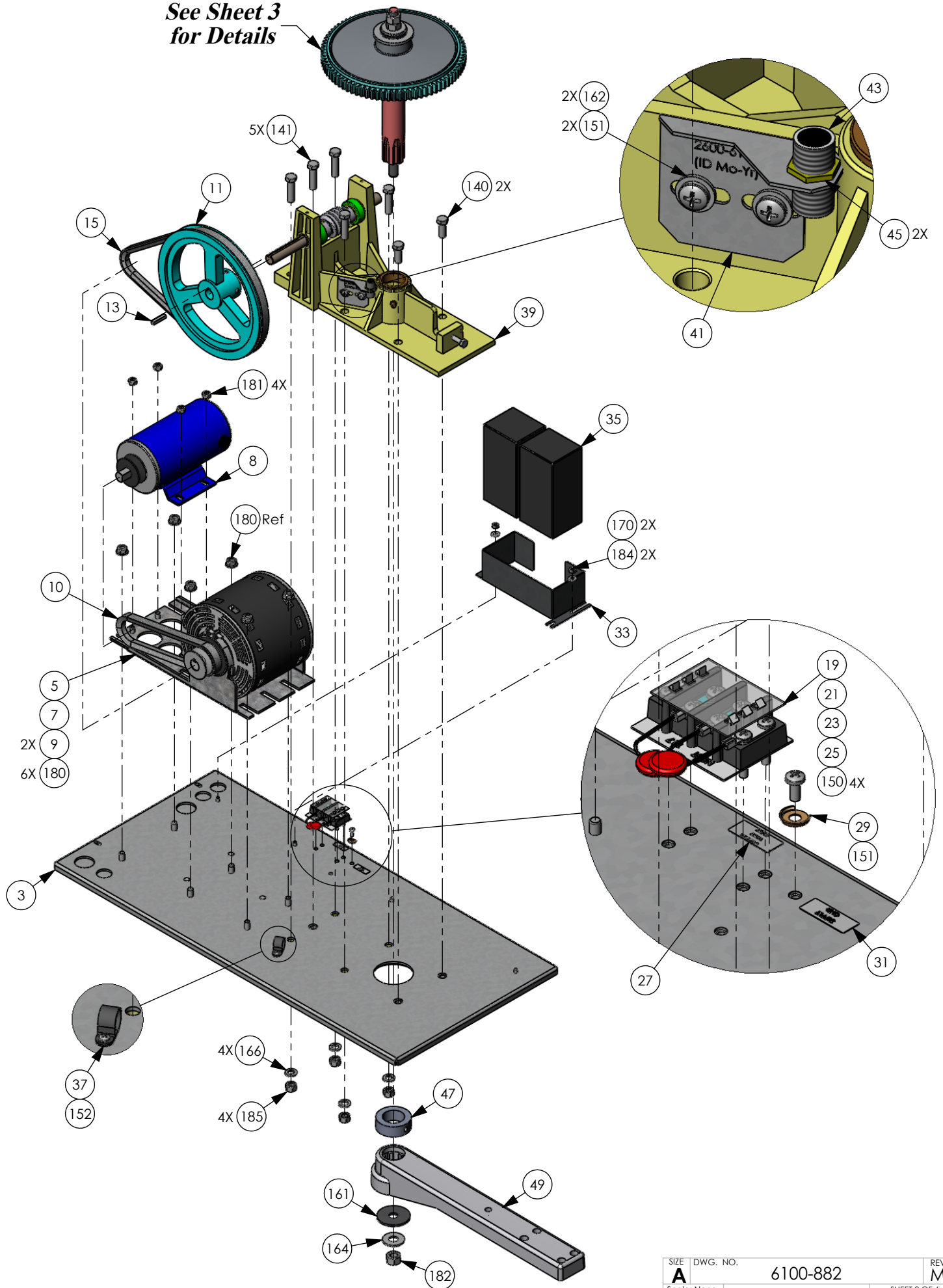
<b>PROPRIETARY AND CONFIDENTIAL</b> THE INFORMATION CONTAINED IN THIS DRAWING IS THE SOLE PROPERTY OF Door King. ANY REPRODUCTION IN PART OR AS A WHOLE WITHOUT THE WRITTEN PERMISSION OF Door King IS PROHIBITED.	DRAWN	NAME	DATE
	CHECKED	Sal	07/29/08
	COMMENTS:		

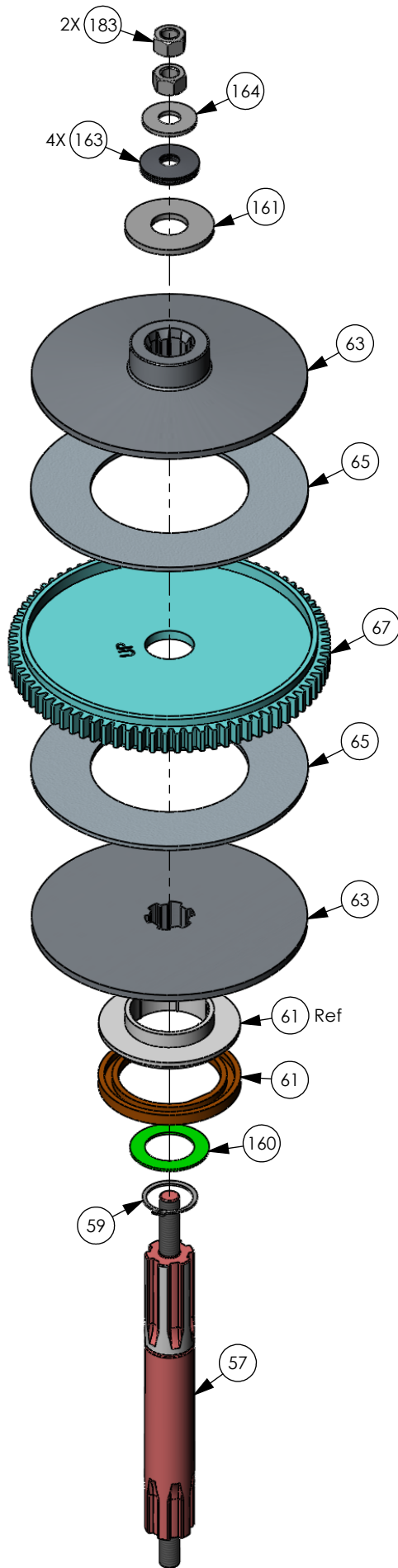


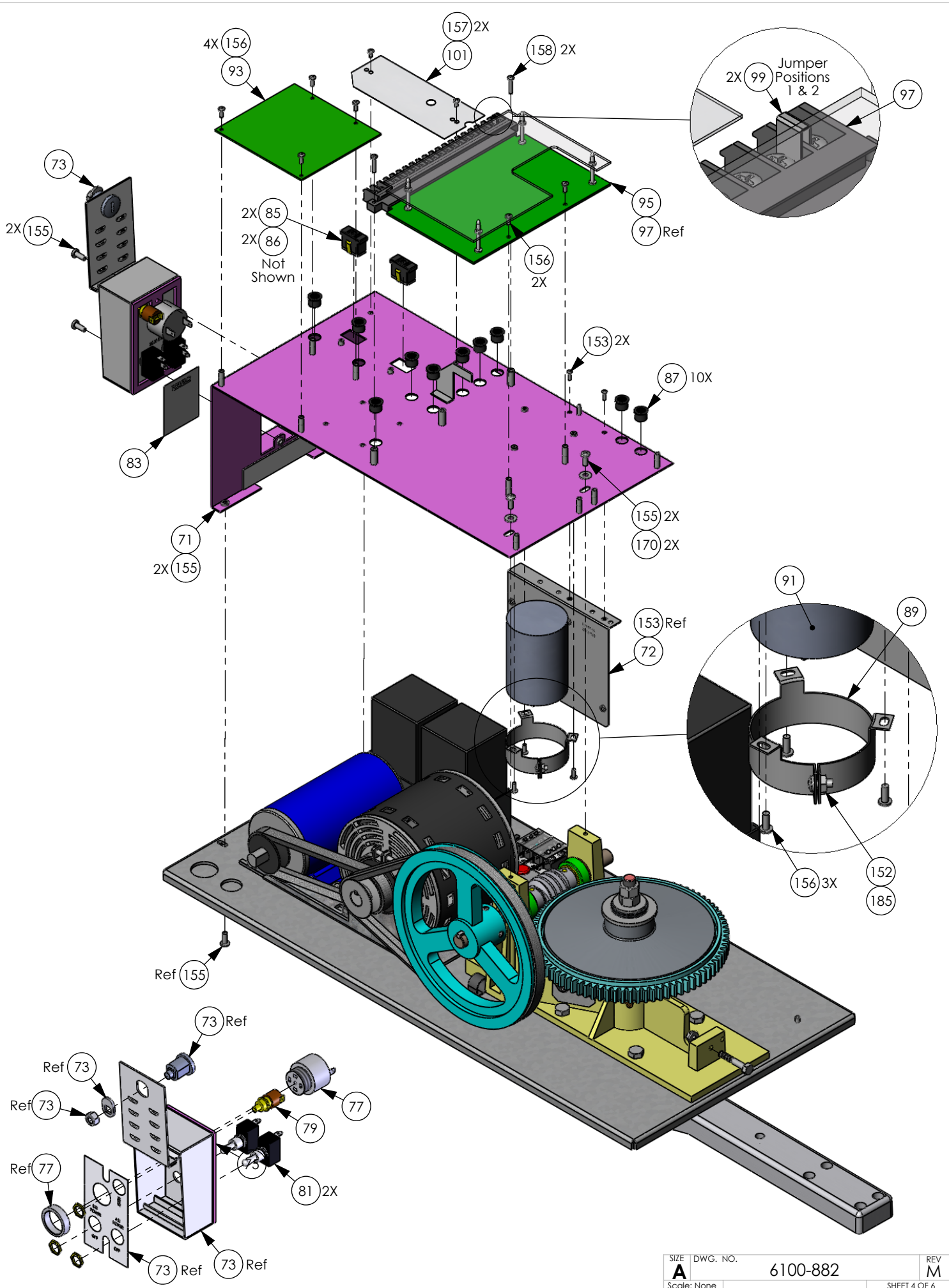
**IPB-Model 6100-082, 1/2HP,  
Primary, Convenient Open**

SIZE	DWG. NO.	REV
<b>A</b>	6100-882	<b>M</b>
Scale: None	SHEET 1 OF 6	

See Sheet 3  
for Details







IPB 6100-882 Rev M  
 (Model and Movex No. 6100-082 Rev M)

Item	Part Number	QTY	UM	Description	List
1	6100-882	1	EA	1/2HP, Primary, Convenient Open rev M	
3	2600-641	1	EA	Base 610 Battery Backup	
5	2600-869	1	EA	Motor Base 610/605 Battery Bk	
7	2600-124	1	EA	Motor Assembly 1/2 HP Dual Pul	
8	2600-197	1	EA	Motor 24VDC For BB	
9	1215-018	2	EA	Wire Nut #71B	
10	2600-688	1	EA	Belt - 17" 4L170 Cogged	
11	2600-568	1	EA	Pulley 8" Cast Iron AC80X5/8	
13	1601-019	1	EA	Keyway 3/16 x 3/16 x 1	
15	2600-089	1	EA	Belt 30"	
19	2600-410	1	EA	Marker Strip Silkscn Both Side	
21	2600-414	1	EA	Terminal Block-2 Position	
23	3129-002	1	EA	Terminal Block Cover 2 Position	
25	4001-093	1	EA	MOV Assembly 130VAC	
27	2599-014	1	EA	Decal Copper Wire Only	
29	2600-439	1	EA	Washer Cup - Brass	
31	2599-006	1	EA	Decal SUPPLY GND	
33	2600-665	1	EA	Battery Tray 610	
35	1801-009	2	EA	Battery 12V 3.0 AmpHour PS1230	
37	2600-619	1	EA	Wire Clp-5/8 Concord 770-1209	
39	6100-040	1	EA	Housing Assembly 6100	
41	2600-613	1	EA	Bracket Magnetic Ctr Potted	
43	3004-010	1	EA	Magnetic Counter Threaded	
45	3004-051	2	EA	Nut Panel 1/4-18	
47	2600-061	1	EA	Collar 2 OD x 1 1/4 ID x 5/8 L	
49	2600-779	1	EA	Swing Crank Arm Extended	
57	2600-675	1	EA	Shaft Assembly 605/610	
59	2630-010	1	EA	Snap Ring 1.25"	
61	2600-360	1	EA	Counter Wheel Mag Assembly	
63	2600-680	2	EA	Clutch Plate 7"	
65	2801-002	2	EA	Clutch Pad 7" OD605/610,6100	
67	2600-323	1	EA	Worm Gear 80 Tooth Delrin	
71	2600-642	1	EA	Mount Plate Cntl Bd 610 Bat Bk	
72	2600-638	1	EA	Bracket Radio 610 Battery Bkup	
73	2600-533	1	EA	Switch Cover Doorking Lockable	
75	2600-731	1	EA	Gasket Switch Cover	
77	1506-071	1	EA	Tone Generator Loud	
79	1812-005	1	EA	Switch Push Button N.O.	
81	1601-041	2	EA	Switch Toggle SPST 2POS	
83	2599-008	1	EA	Label Patent	
85	1200-028	2	EA	Outlet Snap-In Leviton 1306	
86	2600-749	2	EA	Wire Connector STA-KON RC6	
87	2600-820	10	EA	Bushing 1/2	
89	2600-875	1	EA	Capacitor Mounting Clamp	
91	2600-102	1	EA	Capacitor 50uf 370VAC	
93	2340-010	1	EA	PCB Battery Backup	
95	4502-010	1	EA	PCB Gate Operator	

97	4001-020	1	EA	Terminal 20 Pin
99	2600-830	1	EA	Jumper- Ring Tongue
101	2600-945	1	EA	Cover Plastic Insulator
111	2600-722	1	EA	Cover-Model 6100 BB
113	2600-732	1	EA	Nameplate Plastic DKS
115	2802-040	2	EA	Washer Push on Clamp
116	1897-052	2	EA	Gasket, Microphone Support
117	1702-507	1	EA	Cam "J" Hook
119	4001-035	1	EA	Lock N16058BDxSFx2K Key 16120
121	2600-720	1	EA	Crank Arm Joint Assembly Blk
123	2600-630	1	EA	Joint Cover Swinger Left
125	2600-631	1	EA	Joint Cover Swinger Right
127	2600-711	1	EA	Bracket 3/16 x 2 x 12
131	2599-034	1	EA	Label Gate Operator
133	2599-199	1	EA	Label Universal
140	2615-052	2	EA	Bolt Hex Head 3/8-16 x 1
141	2615-055	5	EA	Bolt Hex Head 3/8-16 x 1 1/2
150	2616-019	4	EA	Screw Phillips Head 8-32 x 3/4
151	2616-018	3	EA	Screw Phillips Head 8-32 x 1/2
152	2616-017	2	EA	Screw Phillips Head 8-32 x 3/8
153	2616-001	2	EA	Screw Phillips Head 6-32 x 3/8
155	2616-052	6	EA	Screw Phillips Head 10-32 x1/2
156	2616-001	9	EA	Screw Phillips Head 6-32 x 3/8
157	2600-887	2	EA	Screw Nylon Phillips 6-32 x 1/4
158	2616-003	2	EA	Screw Phillips Head 6-32 x 3/4
160	2620-220	1	EA	Washer 1.25 x 2 x .0625
161	2620-131	2	EA	Washer 1 7/8 OD x 1/2 ID 1/8 T
162	2802-003	2	EA	Washer #8 SAE
163	2600-183	4	EA	Washer Bellville 1.5"ODx.5"ID
164	2620-021	2	EA	Washer 1/2 " SAE
166	2620-019	4	EA	Washer 3/8" SAE
170	2620-010	4	EA	Washer #10 SAE
180	2620-411	6	EA	Nut Hex Flange Lock 5/16-18
181	2620-340	4	EA	Nut Center Lock 1/4-20
182	2620-320	1	EA	Nut Center Lock 1/2-13
183	2620-420	2	EA	Nut Hex 1/2-13
184	2902-006	2	EA	Nut Nylon Lock 10-32
185	2620-405	5	EA	Nut Hex 3/8-16
200	1804-031	10	EA	Tie Wrap 4"
201	2600-698	1	EA	Wire Set Model 6050,6100,6300
203	2340-164	1	EA	Wire Set BB 6100,6300,9150
205	7082-137	1	EA	Wire 5" Green Stranded 14AWG
209	2599-100	2	EA	Sign Warning
210	6100-065	1	EA	Manual Installation
211	2340-065	1	EA	Manual