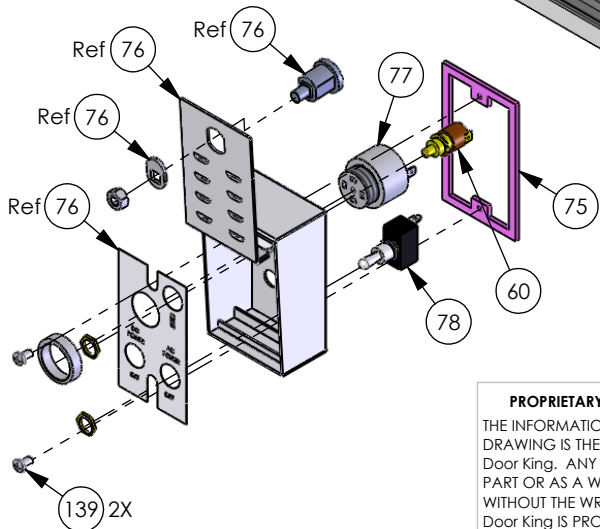
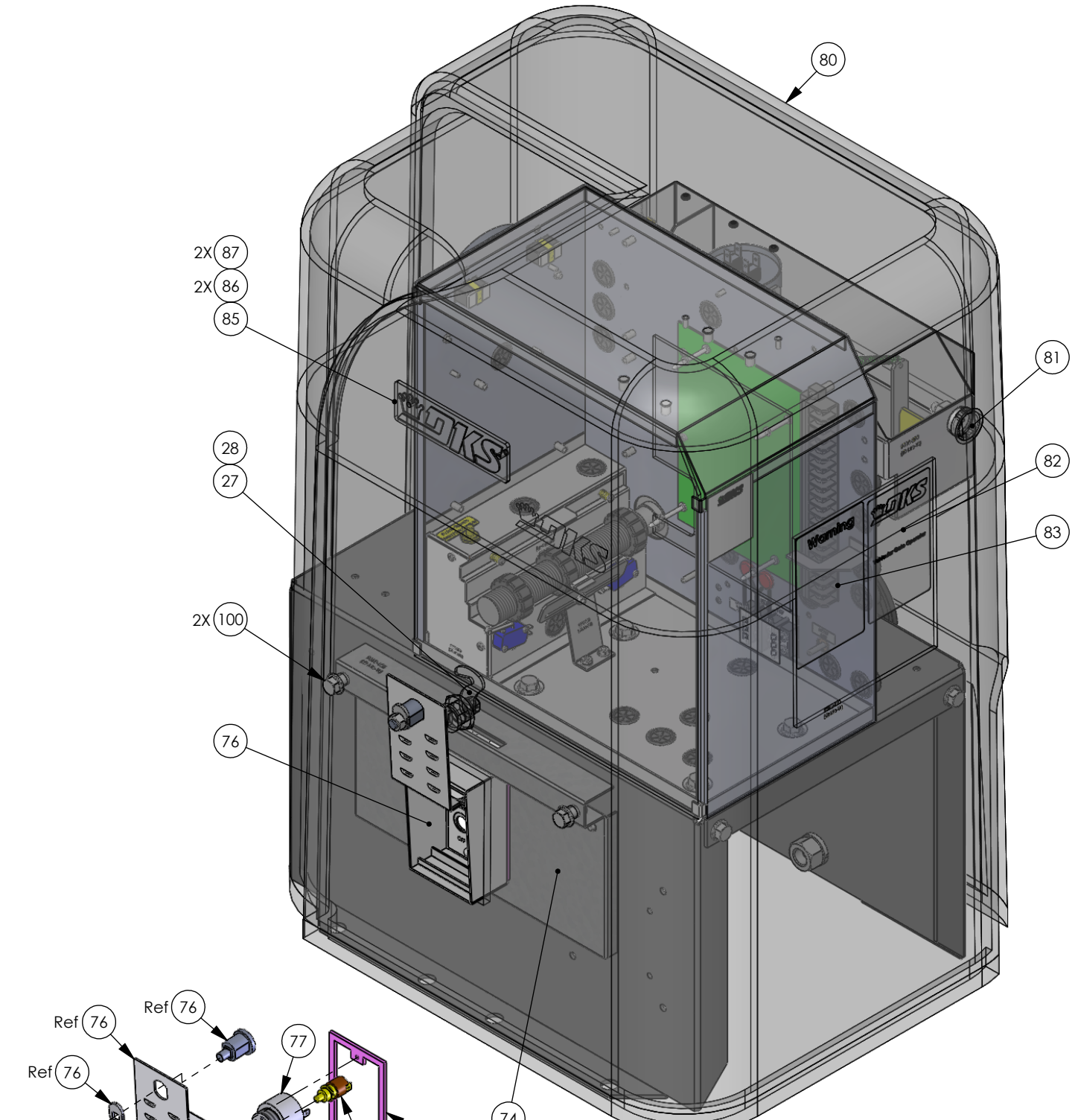


REVISIONS

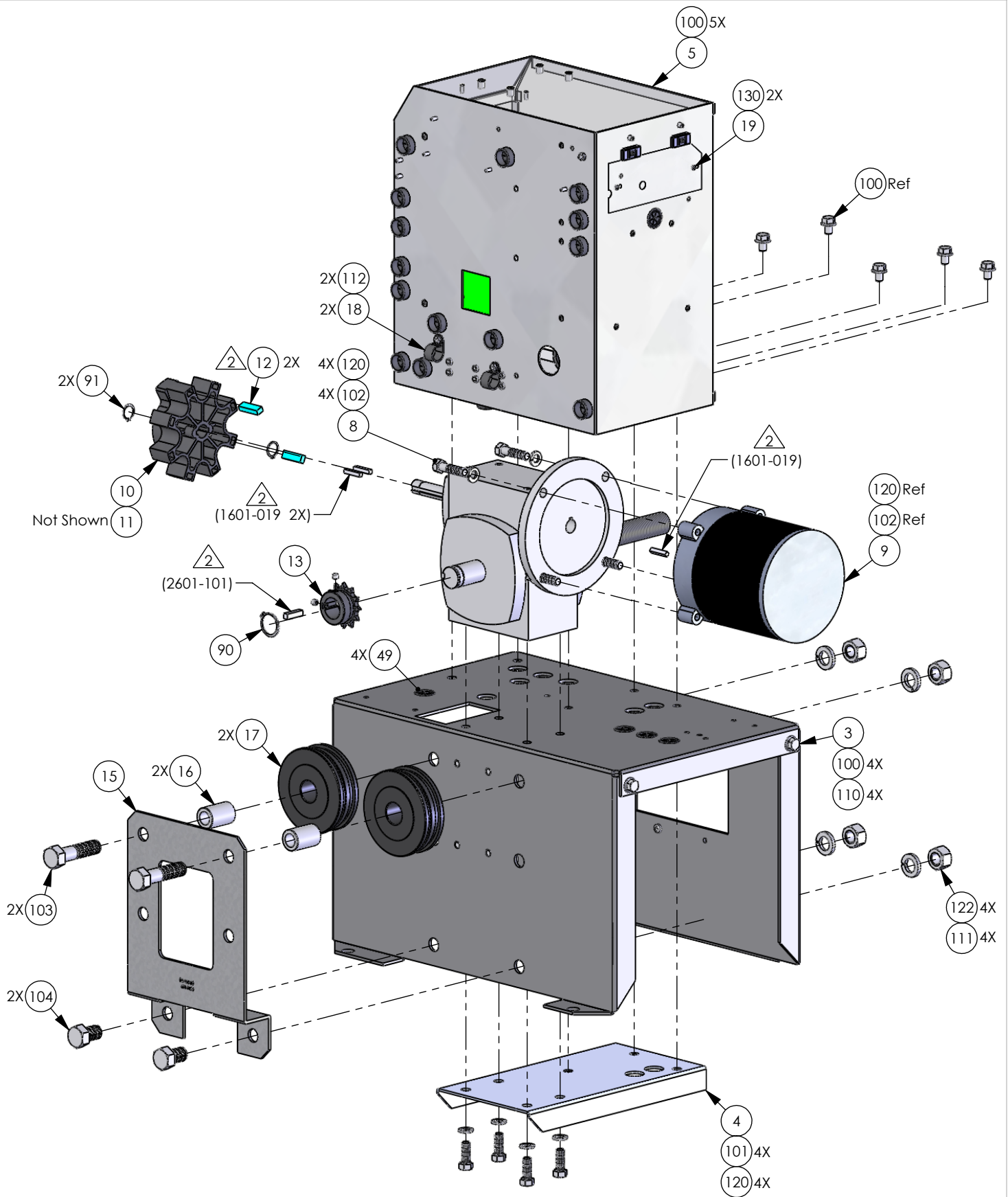
EO	REV	DESCRIPTION	Drawn	APPR
---	G	Added Item 87.	Sal 10/17/07	D.C. 10/17/08

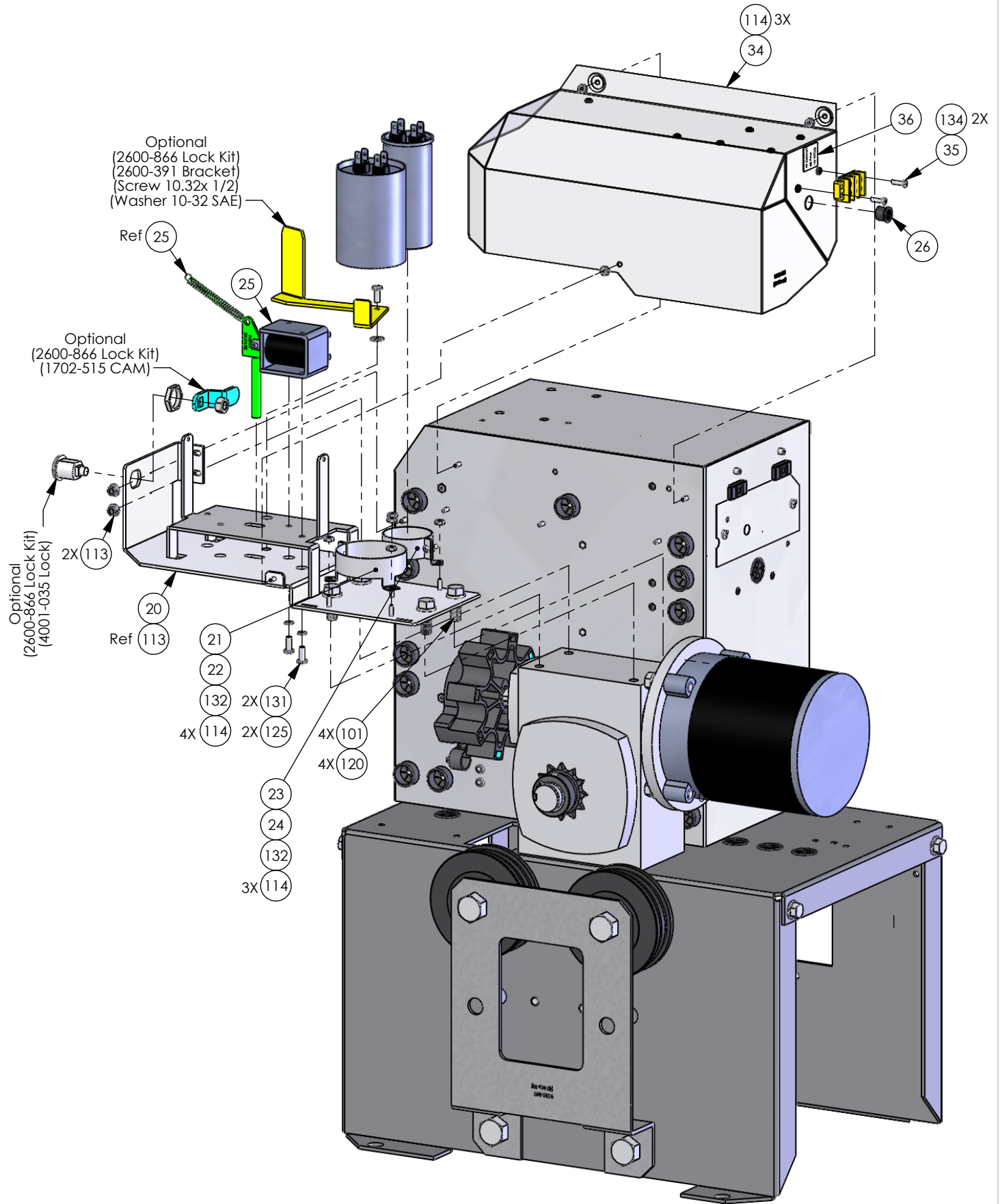


- 3. Wire Sets, Signs, Tubing, & Manual (Items 140-146) Not Shown for Clarity.
- △ Apply Loctite (XX-24231) as indicated.
- 1. See attached reference sheet for BOM; Reference Movex 9310-080 Rev G.

Notes: Unless Otherwise Specified.

<p>PROPRIETARY AND CONFIDENTIAL</p> <p>THE INFORMATION CONTAINED IN THIS DRAWING IS THE SOLE PROPERTY OF Door King. ANY REPRODUCTION IN PART OR AS A WHOLE WITHOUT THE WRITTEN PERMISSION OF Door King IS PROHIBITED.</p>	DRAWN	NAME	DATE
	CHECKED	Sal	09/18/07
	COMMENTS:		
	<p style="text-align: center;">DOORS</p> <p style="text-align: center;">IPB-Model 9310-080, Slide Gate Operator 1/2 HP, 115V</p>		
SIZE	DWG. NO.	REV	
A	9310-880	G	
Scale: None		SHEET 1 OF 7	





**This Page Represents
Accessory Kit 2600-858
(Item 143)**

