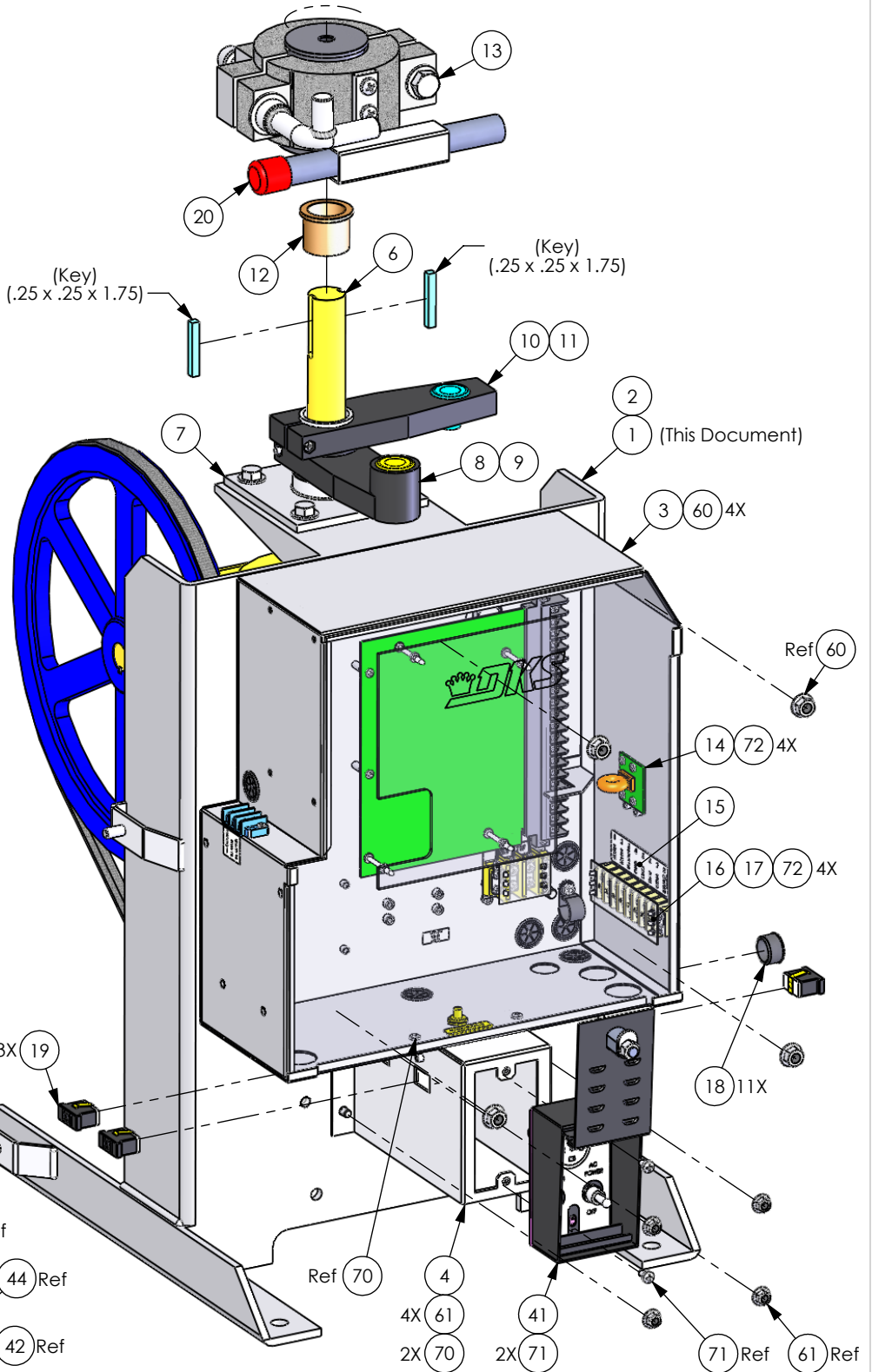


ITEM	P/N	DESCRIPTION	QTY	REVISIONS				
				EO	REV	DESCRIPTION	Drawn	APPR
1	6500-880	IPB-Model 6500-080	1	EO	REV			
2	6500-150	Base Stand	1	----	X1	Prototype Release	Sal 07/25/07	D.C. 12/07/07
3	6500-100	Box Control	1	---	X2	Deleted Item 98 Was: 6500-044 Wire Set High Voltage.	Sal 12/18/07	D.C. 12/18/07
4	6500-105	Bracket Switch Box	1	---	X3	Sh 3 Added Item 38 Pictorially.	Sal 01/22/08	D.C. 01/25/08
6	2600-706	Gearbox	1	---	A	Item 28 (In Movex) Was: 3130-023	Sal 03/11/08	Sal 03/11/08
7	6500-115	Collar Limit Switch Mount	1					
8	6500-030	Bracket-Plastic Limit Switch, Lower	1					
9	1601-263	Switch-Mag Sensor (Yel/Wht or Yel/Slate)	1					
10	6500-032	Bracket-Plastic Limit Switch, Upper	1					
11	1601-261	Switch-Mag Sensor (Blu/Wht or Orn/Slate)	1					
12	6500-135	Bushing Bronze 1 1/8 ID	1					
13	6500-400	Sub Assy-Hub 1/2 HP	1					
14	2343-010	PCB-Current Sensor	1					
15	2599-063	Label-8 Position Term	1					
16	3130-023	Term Strip 8 Row Screw	1					
17	3129-008	Terminal Block Cover 8 Position	1					
18	2600-810	Bushing 7/8 Poke Thru Flaps	11					
19	1200-028	Outlet Snap In	3					
20	6500-200	Tool-Hub Clutch Release	1					
40	2600-731	Gasket Switch Cover	1					
41	2600-533	Switch Cover Lockable	1					
42	1506-071	Tone Generator Loud	1					
43	1601-041	Switch Toggle SPST 2POS	1					
44	1812-005	Switch Push Button N.O.	1					
60	2620-411	Nut Hex Flange Lock 5/16-18	8					
61	2620-409	Nut Hex Flange Lock 1/4-20	6					
70	2616-018	Screw Phillips Head 8-32 x 1/2	2					
71	2616-051	Screw Phillips Head 10-32 x 3/8	2					
72	2616-002	Screw Phillips Head 6-32 x 1/2	8					
95	9402-053	Tubing Flex/Split 1/4 OD	2'					
96	9402-055	Tubing Flex/Split 1/2 OD	3'					
97	6500-043	Wire Set	1					
99	6500-065	Installation Manual	1					



2. Flex Tubing, Manual, & Wire Sets (Items 95-99) Not Shown for Clarity.

1. Reference Movex 6500-080 Rev A when modifying BOM.

Notes: Unless Otherwise Specified.

PROPRIETARY AND CONFIDENTIAL

THE INFORMATION CONTAINED IN THIS DRAWING IS THE SOLE PROPERTY OF Door King. ANY REPRODUCTION IN PART OR AS A WHOLE WITHOUT THE WRITTEN PERMISSION OF Door King IS PROHIBITED.

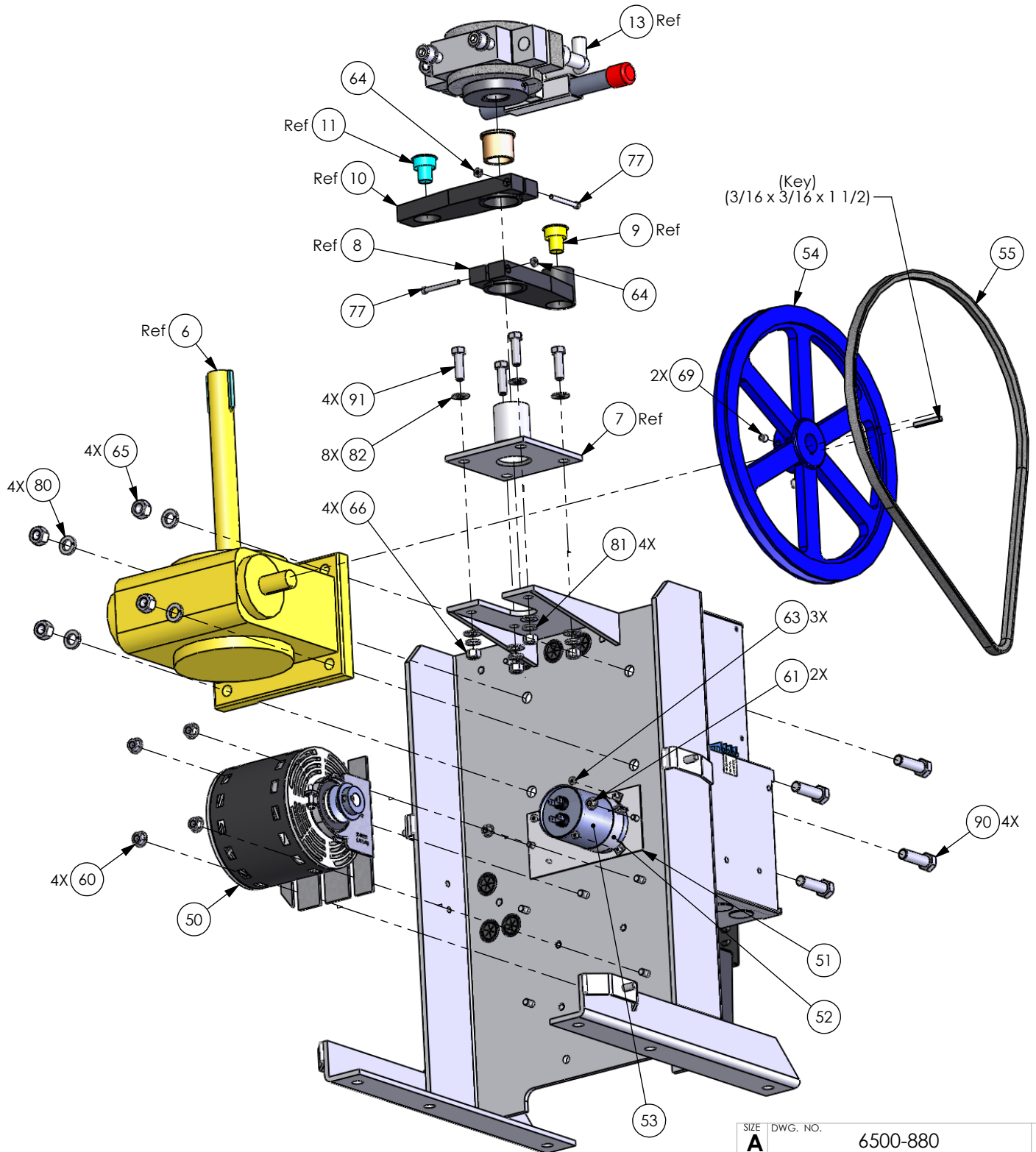


IPB-Model 6500-080,
115V, 1/2HP, Master

SIZE	DWG NO	REV
A	6500-880	A
Scale: None		SHEET 1 OF 4

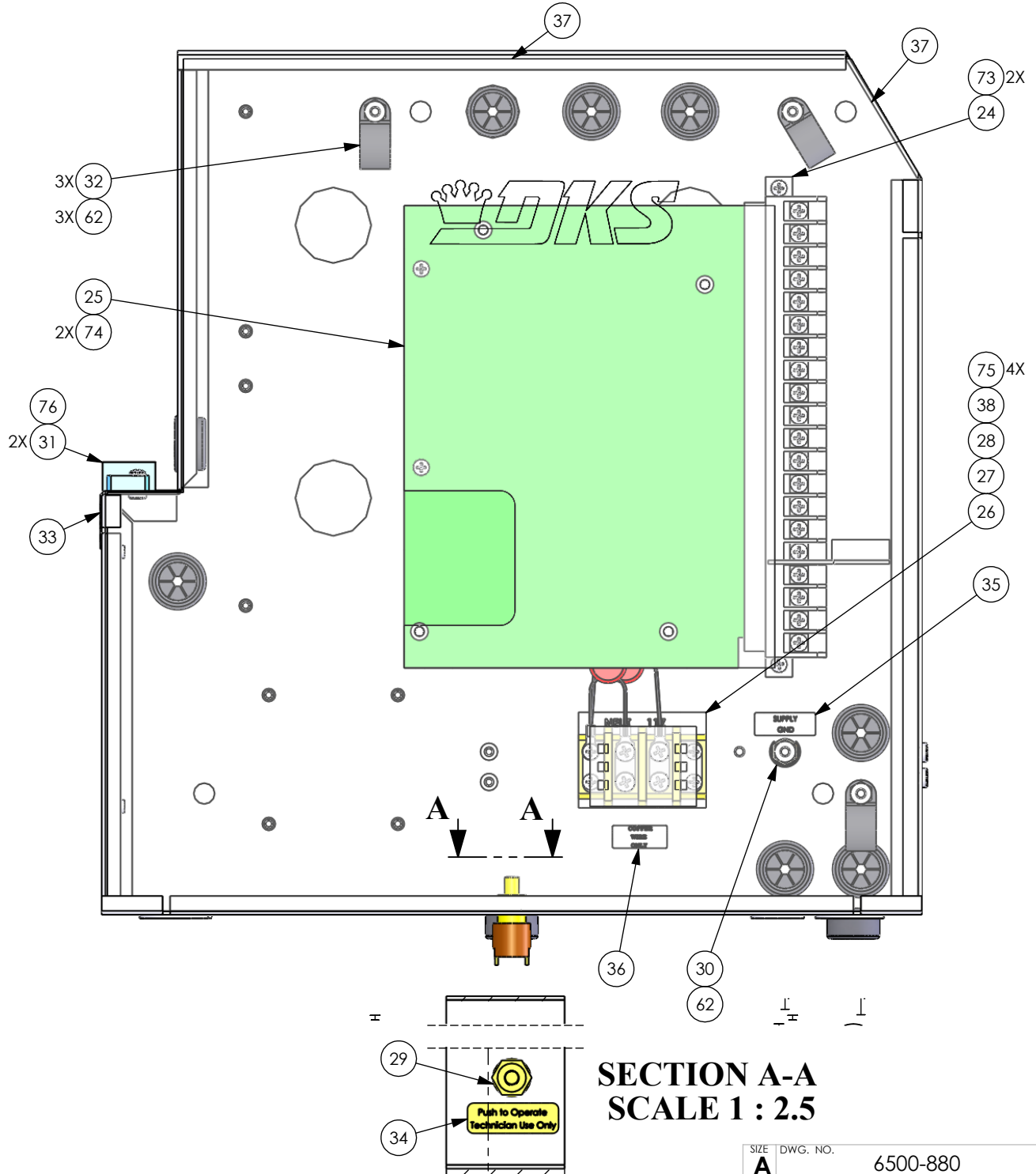
ITEM	P/N	DESCRIPTION	QTY
50	2600-129	Motor Assy-1/2 HP	1
51	6500-120	Capacitor Mounting Plate Assy	1
52	2600-875	Capacitor Mounting Clamp	1
53	2600-102	Capacitor-50uf, 370 VAC	1
54	2600-597	Pulley-13 x 7/8 Cast Iron AK134	1
55	6500-047	Belt-47 4L470	1
63	2902-003	Nut Nylon Lock 6-32	3
64	2902-006	Nut Nylon Lock 10-32	2

ITEM	P/N	DESCRIPTION	QTY
65	2620-420	Nut Hex 1/2-13	4
66	2620-405	Nut Hex 3/8-16	4
69	2616-097	Set Screw-5/16-18 x 3/8	2
77	2616-058	Screw Phillips Head 10-32 x 2	2
80	2620-050	Lockwasher 1/2	4
81	2620-047	Lockwasher 3/8	4
82	2620-019	Washer 3/8 SAE	8
90	2615-081	Bolt Hex Head 1/2-13 x 1 3/4	4
91	2615-053	Bolt Hex Head 3/8-16 x 1 1/4	4



ITEM	P/N	DESCRIPTION	QTY
24	4001-020	Terminal 20 Pin	1
25	4405-010	PCB Gate Operator	1
26	2600-410	Marker-Silkscreen Both Sides	1
27	2600-414	Terminal Block-2 Position	1
28	3129-002	Cover-Terminal Block 2 Position	1
29	1812-005	Switch Pushbutton N.O.	1
30	2600-437	Washer Brass	1
31	2600-413	Terminal Block-3 Position	1
32	2600-619	Wire Clip-5/8	3
33	2599-038	Label-Radio 9310	1

ITEM	P/N	DESCRIPTION	QTY
34	2599-096	Label Key Model 9310	1
35	2599-006	Decal-Supply Gnd	1
36	2599-014	Decal-Copper Wire Only	1
37	6500-005	Cover-Plexiglass, Enclosure	1
38	4001-093	MOV Assy 130VAC	1
62	2902-004	Nut Nylon Lock 8-32	4
73	2616-007	Screw Phillips Head 6-32 x 5/8	2
74	2616-000	Screw Phillips Head 6-32 x 1/4	2
75	2616-003	Screw Phillips Head 6-32 x 3/4	4
76	2616-001	Screw Phillips Head 6-32 x 3/8	2



SECTION A-A
SCALE 1 : 2.5

ITEM	PART NUMBER	DESCRIPTION	QTY
56	6500-450	Cover-Front w/ Hardware	1
57	6500-460	Cover-Back w/ Labels	1
58	6500-430	Sub Assy-Arm Main	1
59	6500-440	Sub Assy-Cover Turret	1
78	2616-580	Nut Barrel 5/16-18 Thread	3

