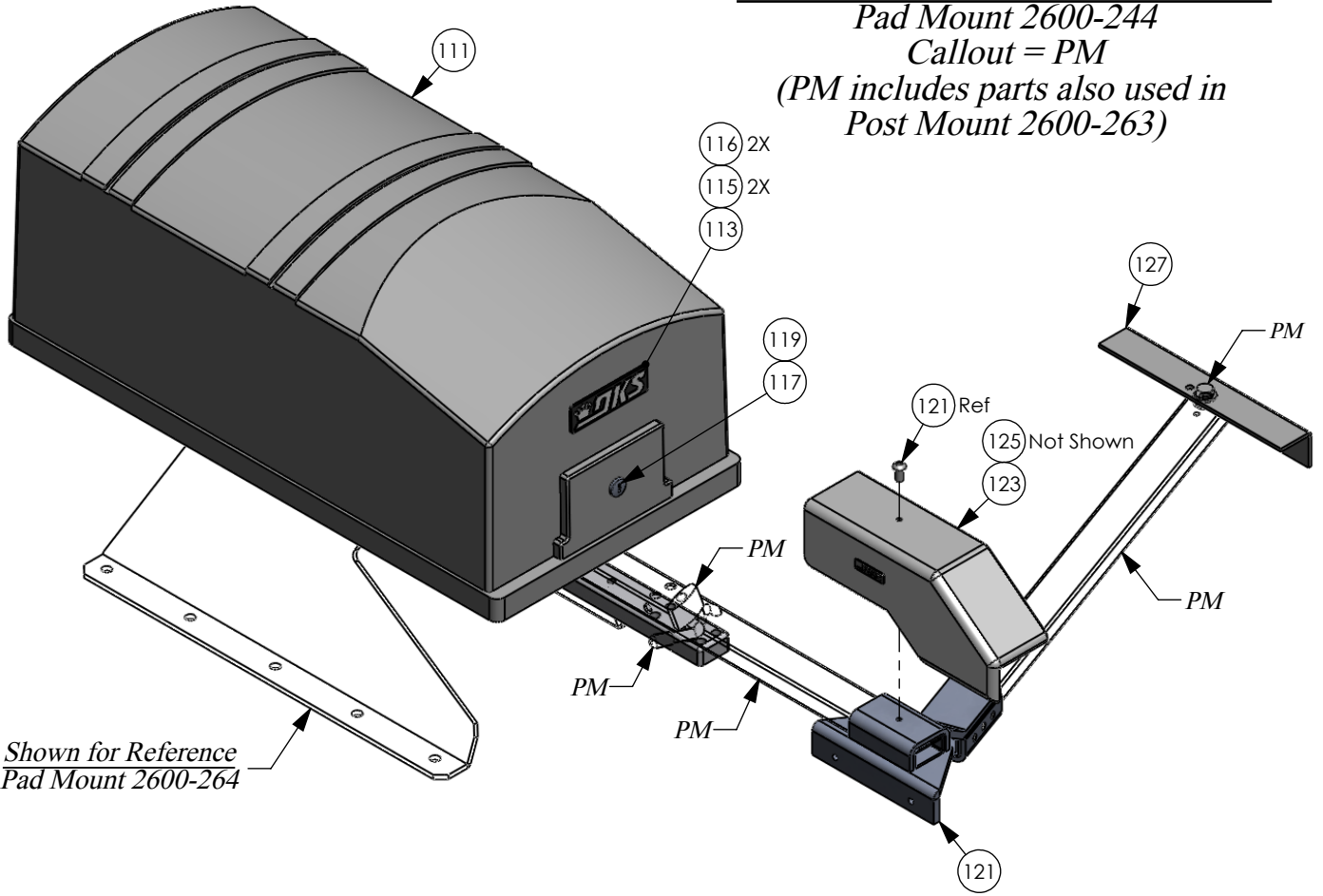
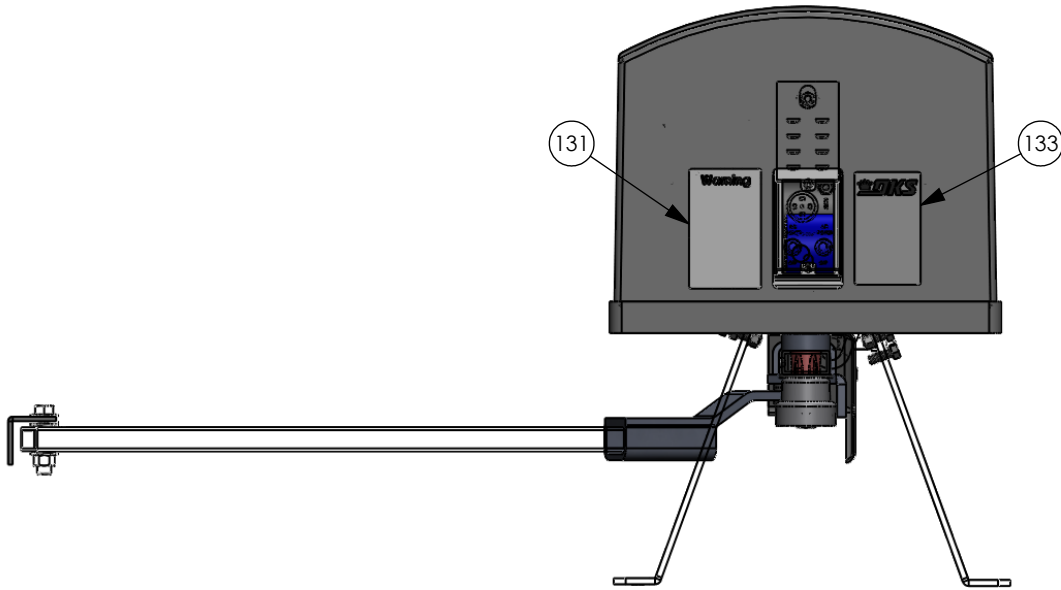


EO	REV	DESCRIPTION	Drawn	APPR
---	K	Added Items 116 & 158; Revised Items 151,153,180,211 Was: 2616-016, 2904-002, 2902-007, 2340-065.	Sal 09/18/08	D.C. 09/18/08

Shown for Reference in Outline Form
Pad Mount 2600-244
Callout = PM
(PM includes parts also used in
Post Mount 2600-263)




Shown for Reference
Pad Mount 2600-264



2. Items 200-211 Not Shown for Clarity.

1. See attached reference sheet for BOM;
 Reference Movex 6300-080 Rev K.

Notes: Unless Otherwise Specified.

PROPRIETARY AND CONFIDENTIAL		NAME	DATE	 IPB-Model 6300-080, 1/2HP, 115V, Primary	REV
DRAWN		Sal	06/26/08		6300-880
CHECKED					
COMMENTS:				SIZE A	DWG. NO.
				Scale: None	SHEET 1 OF 6

**See Sheet 3
for Details**

