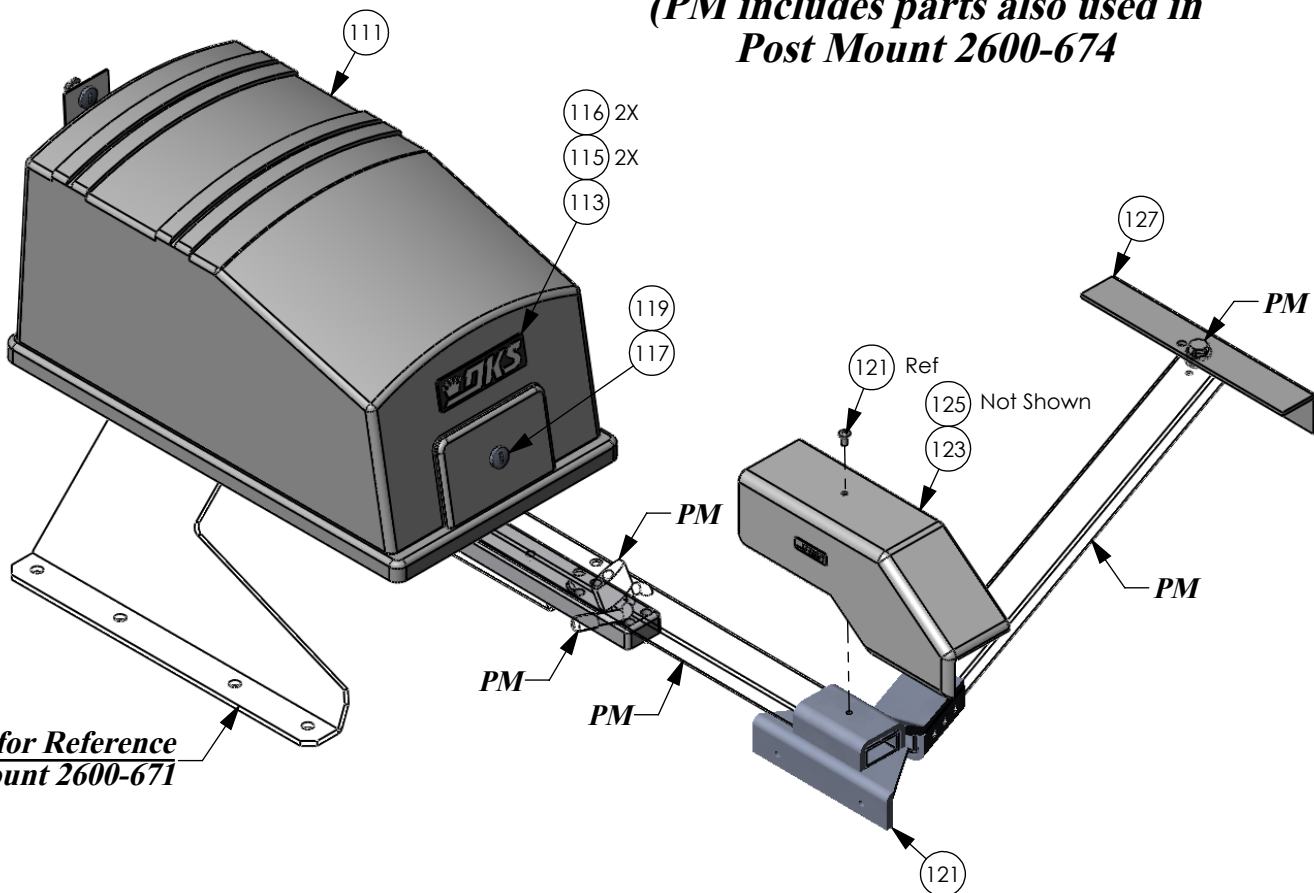
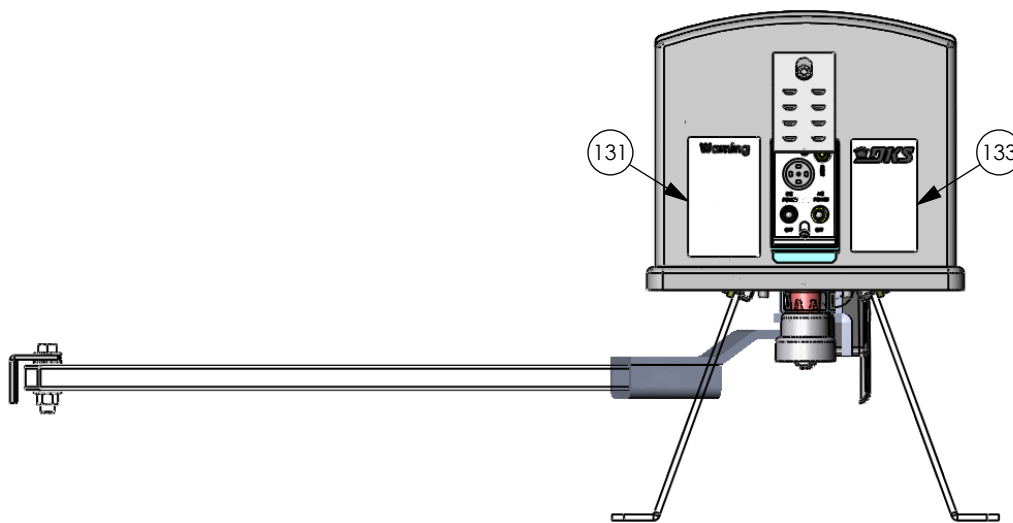


EO	REV	DESCRIPTION	Drawn	APPR
---	L	Added Item 116. Deleted Item Was: 2615-051.	Sal 10/24/08	D.C. 10/24/08

Shown for Reference in Outline Form
Pad Mount 2600-671
Callout=PM
(PM includes parts also used in
Post Mount 2600-674



Shown for Reference
Pad Mount 2600-671



2. Items 200-210 Not Shown for Clarity.

1. See attached reference sheet for BOM;
 Reference Movex 6100-080 Rev L.

Notes: Unless Otherwise Specified.

PROPRIETARY AND CONFIDENTIAL		NAME	DATE
DRAWN		Sal	08/04/08
CHECKED			
COMMENTS:			



**IPB-Model 6100-080,
 1/2HP, Primary**

SIZE	DWG. NO.	REV
A	6100-880	L
Scale: None		SHEET 1 OF 6

See Sheet 3
For Details

