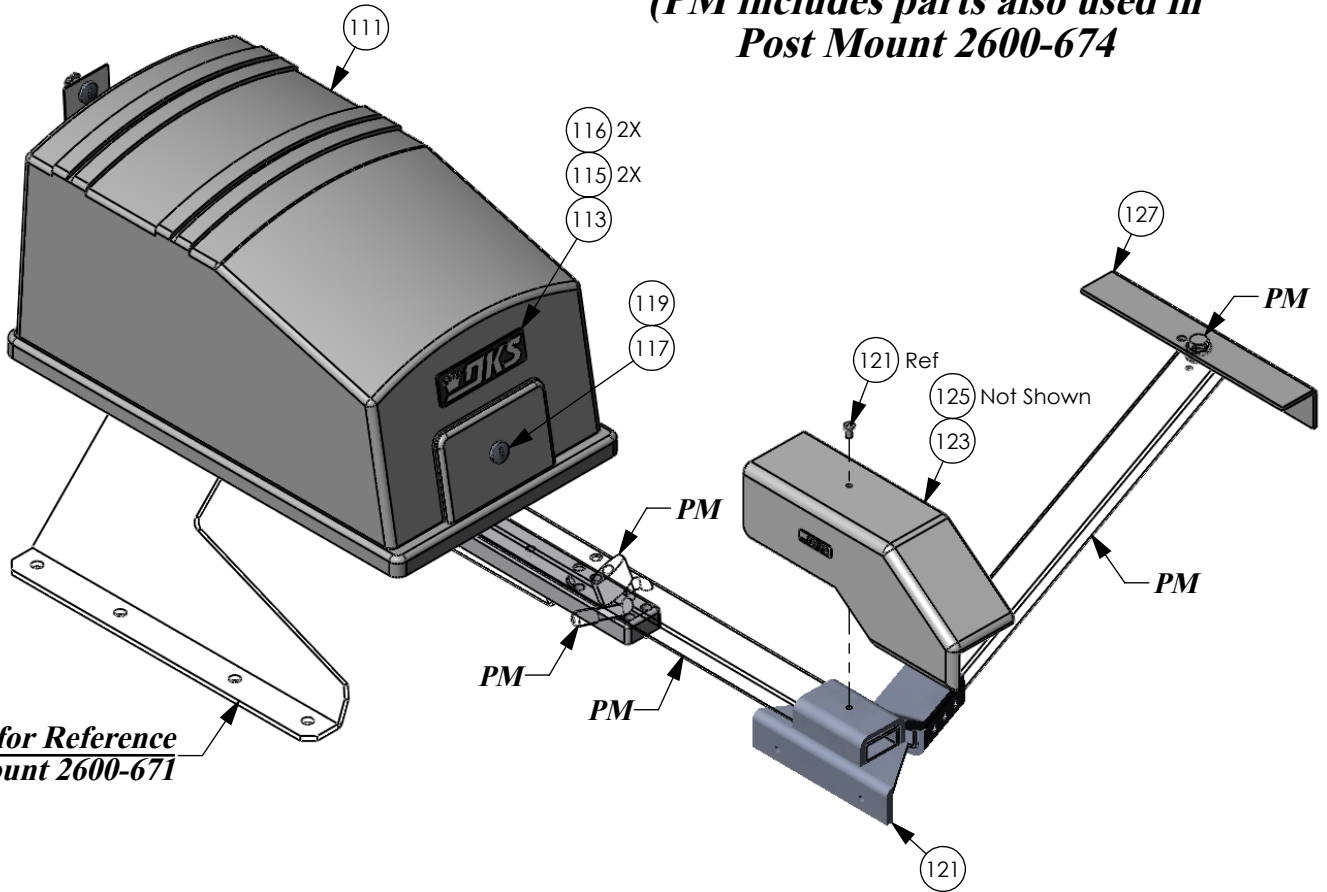
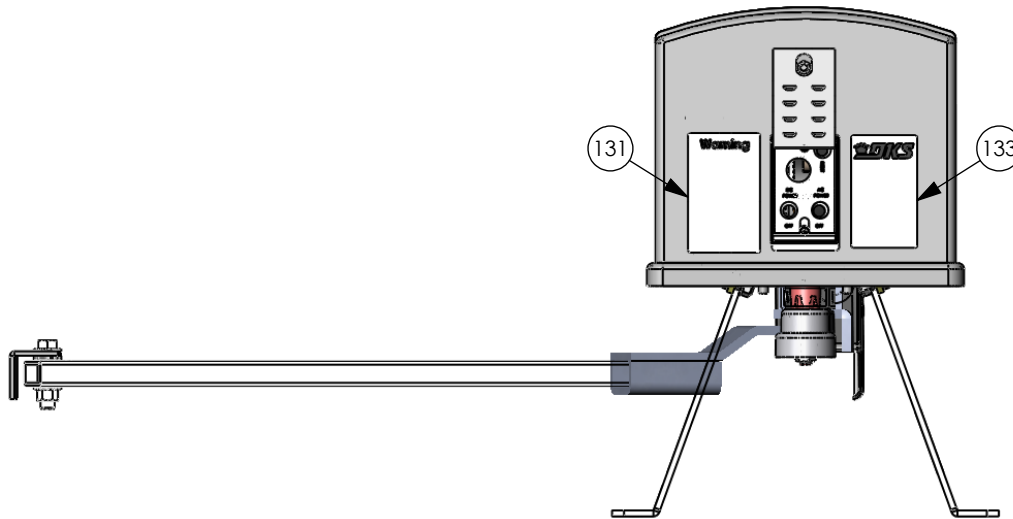


EO	REV	DESCRIPTION	Drawn	APPR
---	K	Revised P/Ns Items 151, 153, 180 Was: 2616-016, 2904-002, 2902-007; Deleted Item 154 Was: 2616-051.	Sal 09/25/08	D.C. 09/25/08

Shown for Reference in Outline Form
Pad Mount 2600-671
Callout=PM
(PM includes parts also used in
Post Mount 2600-674




Shown for Reference
Pad Mount 2600-671



2. Items 200-210 Not Shown for Clarity.

1. See attached reference sheet for BOM;
Reference Movex 6050-080 Rev K.

Notes: Unless Otherwise Specified.

PROPRIETARY AND CONFIDENTIAL THE INFORMATION CONTAINED IN THIS DRAWING IS THE SOLE PROPERTY OF Door King. ANY REPRODUCTION IN PART OR AS A WHOLE WITHOUT THE WRITTEN PERMISSION OF Door King IS PROHIBITED.	NAME	DATE	 IPB-Model 6050-080, 1/3 HP, Primary	REV	
	DRAWN	Sal		08/12/08	K
	CHECKED				
	COMMENTS:				
	SIZE	DWG. NO.			
	A	6050-880			
	Scale: None			SHEET 1 OF 6	

See Sheet 3
For Details

