



## Kant-Slam® Hydraulic Gate And Door Closer

The Kant-Slam® is a hydraulic gate and door closer designed to push a door or gate shut with adjustable hydraulic speed control. Before installing the Kant-Slam® please read all instructions completely and confirm that the door or gate operates smoothly and is in good working order. If not, repair door or gate before mounting Kant-Slam®.

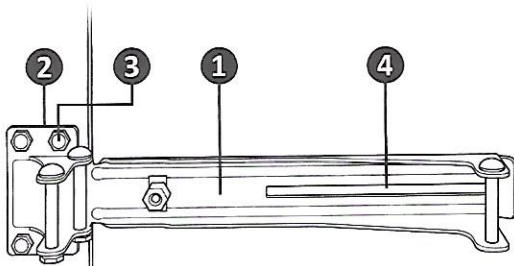


figure 1

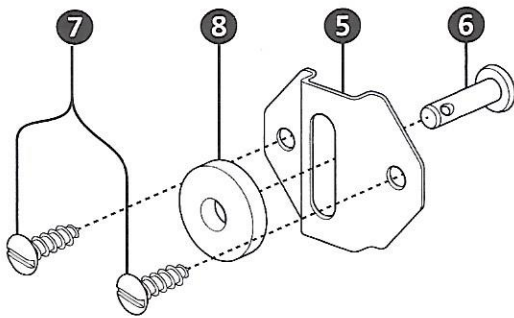


figure 2

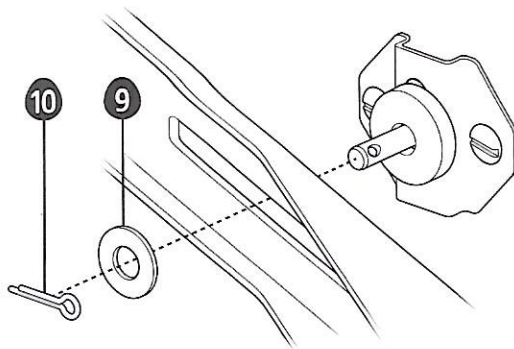


figure 3

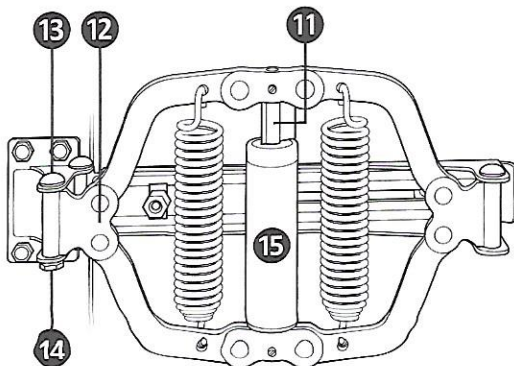


figure 4

### General Mounting Instructions:

The Kant-Slam® mounts on the hinge pin side (pull side) of the door or gate and at any height above 6" from the ground. Kant-Slam® works best if door or gate is flush with the door casing or post.

### Installation Procedure:

1. Place **Tie Bar ①** on the door or gate with **Bracket Hinge ②** on door casing or post (works on left or right hand doors by reversing **Bracket Hinge**). Align the edge of the **Bracket Hinge** with the edge of the door casing or gate post. Mark and then drill a 3/16" hole in anyone of the four **Bracket Hinge** holes, and insert and tighten one **1-1/2" Screw ③**. If the wood post is round, the **Bracket Hinge** must be mortised into the wood post for firm mounting (figure 1).
2. With the **Bracket Hinge** attached and the door or gate closed, swing and hold the **Tie Bar** against the door or gate and trace the outline of the **Tie Bar Plate Slot ④** on to the door or gate. Swing back the **Tie Bar** and mark a vertical line 3/4" back from the end of the slot. Center the **Tie Bar Plate ⑤** on the 3/4" mark and slot. Mark the location of the two screws and drill 1/8" holes in the door or gate. Insert the **Clevis Pin ⑥** into the vertical slot in the **Tie Bar Plate** and attach the **Tie Bar Plate** to the door or gate with the two **5/8" Screws ⑦**. Place **Fiber Washer ⑧** onto the **Clevis Pin** (figure 2). Swing the **Tie Bar** over the **Tie Bar Plate** so the **Clevis Pin** goes through the **Tie Bar Slot**, place the **Steel Washer ⑨** onto the pin and install the **Cotter Pin ⑩** through the hole in the **Clevis Pin** (figure 3).
3. Check that the **Tie Bar Assembly** works freely without binding by swinging open and closing your door or gate. If OK, finish installing the three remaining **1-1/2" Screws** into the **Bracket Hinge**. If not, remove screw and reposition.
4. Locate the **U Key ⑪** on the **Cylinder Spring Assembly**. It must be facing upward as you mount the **Cylinder Spring Assembly** onto the **Tie Bar**. Align the **S Lever Hinge ⑫** in between the **Bracket Hinge** and insert a **Hinge Bolt ⑬**, secure with a **Hinge Nut ⑭**. Slightly open the door or gate to get the proper hinge alignment then connect the other **S Lever Hinge** to the **Tie Bar**. Insert **Hinge Bolt** and secure with a **Hinge Nut**.
5. Open the door or gate and remove the **U Key** from around the **Piston Rod**. This will allow the door or gate to close fully and properly. Save the **U Key**, as it must be reused should it be necessary to remove the **Cylinder Spring Assembly**. Open the door or gate and allow the **Kant-Slam®** to shut the door or gate. Rotating the **Cylinder ⑮** controls the closing speed of the door or gate. Turning right slows the closing rate, left to increase the speed. (Note: Increase speed to overcome a lock set with a strong latch spring)
6. Snap on the **Cover** over the **Cylinder** with the curved section up. Your installation is now complete (figure 5).



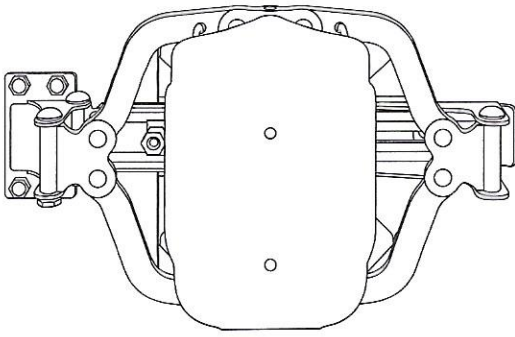


figure 5

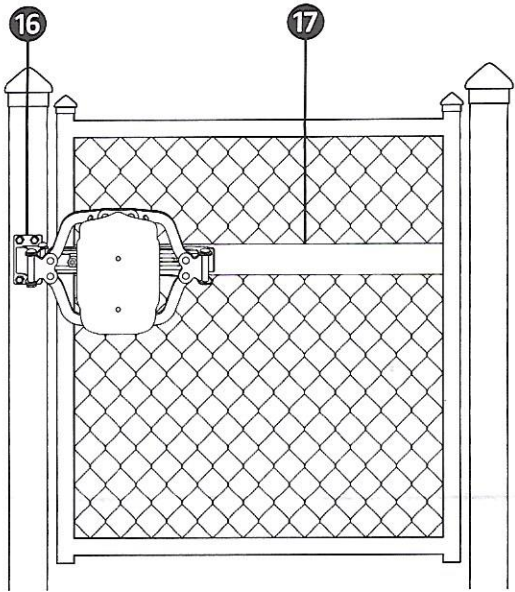


figure 6

## Additional Mounting Instructions for Chain Link and Metal Gates:

With so many different types of metal doors and gates - chain link, ornamental iron, etc., the installer may have the need for additional mounting plates (not included) and to adapt the instructions to their application.

### Alternate Metal Post Installation:

**Round Metal Post:** Weld an "L" angle or plate 16 to the post so the mounting surface is parallel to the door or gate face in the closed position. Align per instructions and clamp the **Bracket Hinge** to the new plate. Then bolt (not included) or weld into place (figure 6).

**Flat or Square Metal Post:** Locate desired mounting location, align **Bracket Hinge** per instructions and bolt or weld into place.

### Alternate Metal Gate Installation:

Some metal gates do not have the proper mounting surface; for example as with a chain link gate. A wooden or metal strip 17 (not included) wide enough to mount on the **Tie Bar Plate** (approximately 2") will be needed. Bolt or weld the strip horizontally side to side across the gate's wire mesh. Now following the Installation Procedure Step 2 the **Tie Bar Plate** can now be mounted to the gate (figure 6).

## LIMITED WARRANTY

Kant-Slam Door Check Company warrants the Kant-Slam® Closer for 12 months from date of purchase, only to the original purchaser, against defective material and workmanship. Kant-Slam's obligation under this warranty is limited to the repair or replacement, at its option, of the product or any parts thereof, when Kant-Slam determines in good faith that the defect is due solely to materials and/or workmanship, and is conditioned upon payment by the purchaser of all transportation cost incident to such repair or replacement. Return the product or parts thereof, transportation prepaid, with proof of purchase date, to Factory Service Department, Kant-Slam Door Check Company, 46 W. Spring Street, Bloomfield, Indiana 47424. Kant-Slam Door Check Company reserves the right to levy a service charge for handling, packaging, and refinishing the product or parts thereof. This warranty does not include the cost of any inconvenience or property damage due to the failure of the product, transportation damage, misuse, abuse, accident or similar incidents. This warranty gives you specific legal rights and you may also have other rights which vary from state to state. This warranty replaces all previous warranties and is the only warranty made by Kant-Slam Door Check Company on this product. No other warranties, either verbal or written, are authorized.

KANT-SLAM DOOR CHECK COMPANY  
 P.O. Box 228, Bloomfield, IN 47424-0228 USA  
 Toll Free: (800) 233-2051  
 Direct: (812) 384-4441  
 Fax: (812) 384-4592  
[www.hi-lift.com/kant-slam](http://www.hi-lift.com/kant-slam)